

IP66 19" Field Cabinet

IP-A1377562-0

ALUMINIUM | SINGLE BAY 19" | IP66

**19" 24U - 1375H x 750W x 620D
Non-Ventilated**

IP Enclosures FC Range of IP66 19" Field Data Rack Cabinets are designed for heavy duty outdoor applications to house sensitive data network and electrical equipment in harsh environments. They are suitable for a variety of outdoor applications including road and rail transport management systems and general data and network infrastructure applications.

Protection: Complies with IP66 IK10, NEMA 4

Standard: IEC62208, IEC/EN/AS60529, EIA-310-D 

Rack Unit Size: 24U

Material:

- Body and Plinth: 2.5mm marine grade aluminum
- Doors: 2.5mm marine grade aluminum
- 19" Data Rack Rails: 1.5mm galvanised steel sheet
- Gland Plate: 3.0mm aluminium
- Enclosure Seal: Polyurethane

Body: The robust monoblock body is fabricated using 2.5mm marine grade aluminum sheet. The body is fitted with rain hood/sunshield, plinth and 4 x lifting eye bolts. Flat face sealing surfaces are provided to increase seal life. A 3.0 mm aluminium split gland plate is also incorporated into the bottom face.

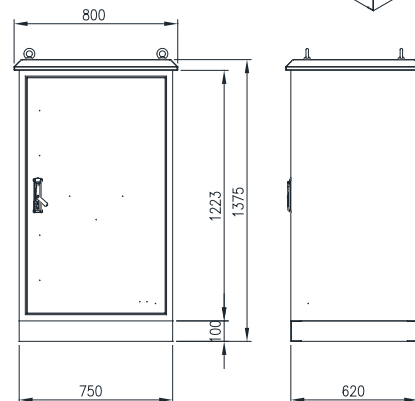
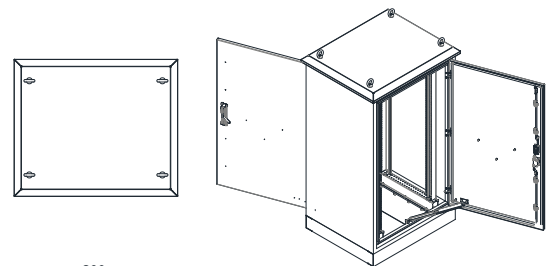
Doors: Front and rear doors are fabricated using 2.5mm marine grade aluminum sheet and are designed to provide flush recessed mounting to prevent vandalism and unauthorised access. The doors incorporate concealed removable hinges with captive pins. They are designed for 110° opening and are provided with heavy duty door stays.

19" Data Rack Rails: Front and rear 19" data rack rails are fabricated from 1.5mm galvanised steel sheet.

Seal: A high quality full perimeter Polyurethane foamed in place (FIP) seal provides excellent sealing over a long life.

Locks: 3 point locking systems with key-lock swing handles.

Surface Treatment: UL approved epoxy polyester powder-coated with a textured finish. 80-120 micron average thickness. RAL 7035 Grey smooth finish.



FRONT VIEW
(ASSEMBLY)

SIDE VIEW

