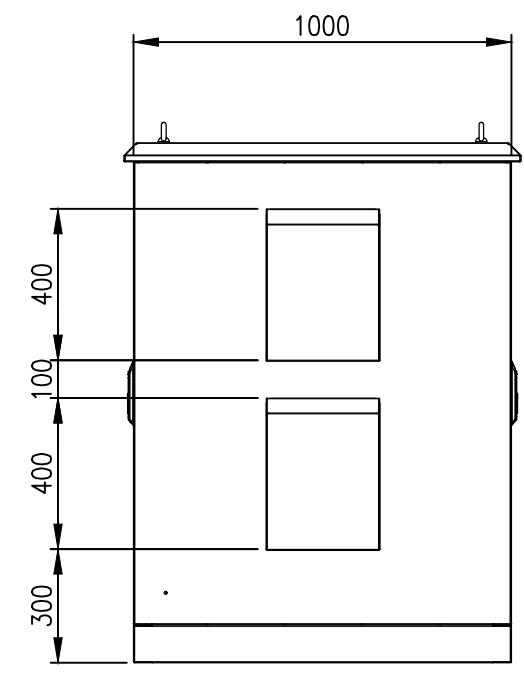
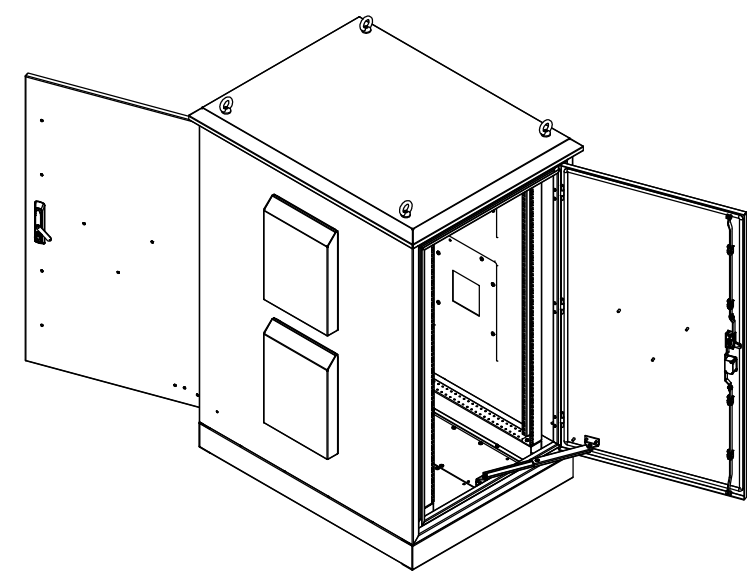
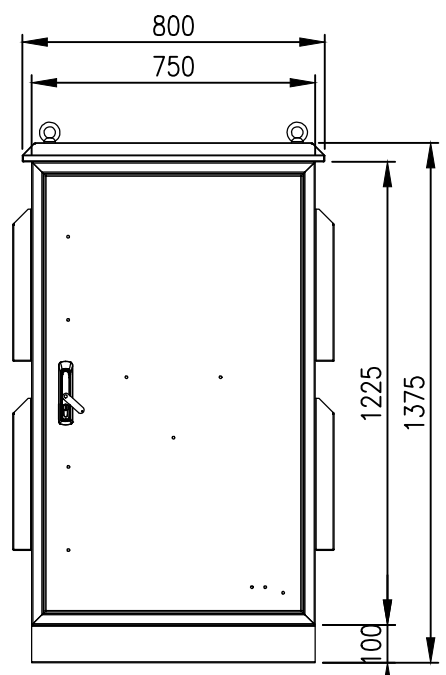


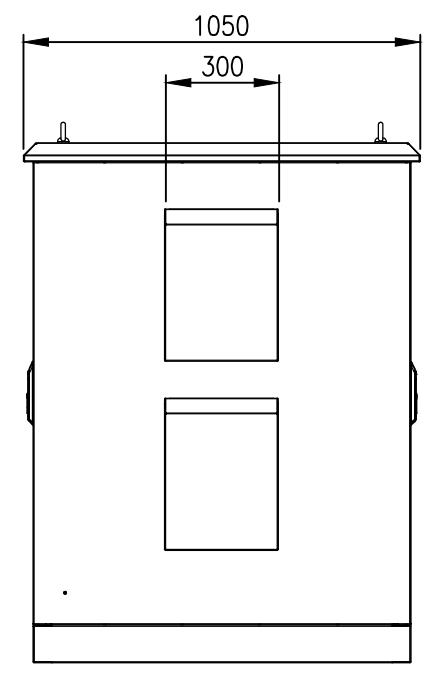
TOP VIEW



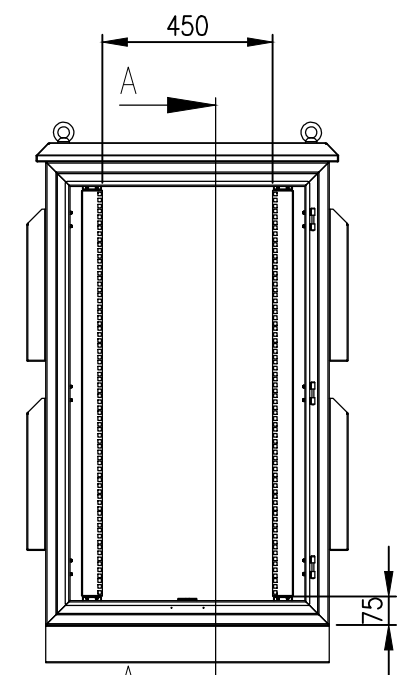
LEFT SIDE VIEW



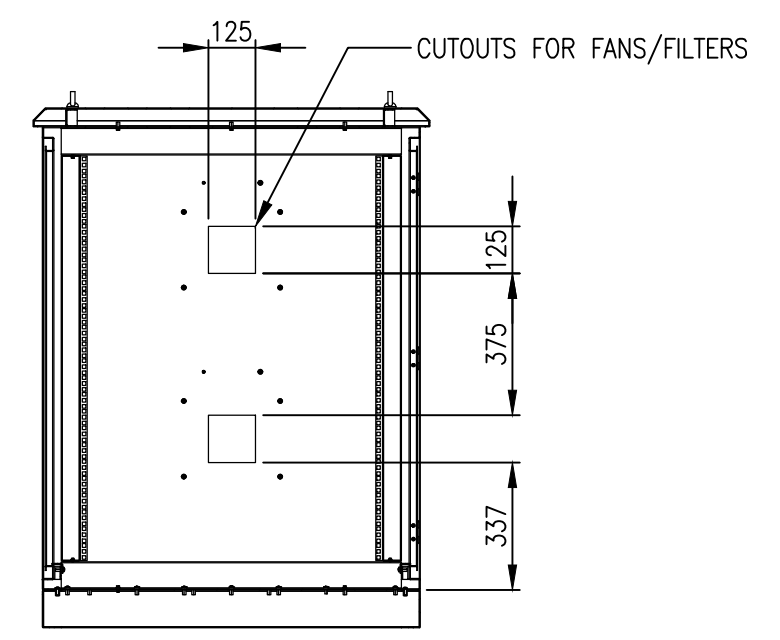
FRONT VIEW



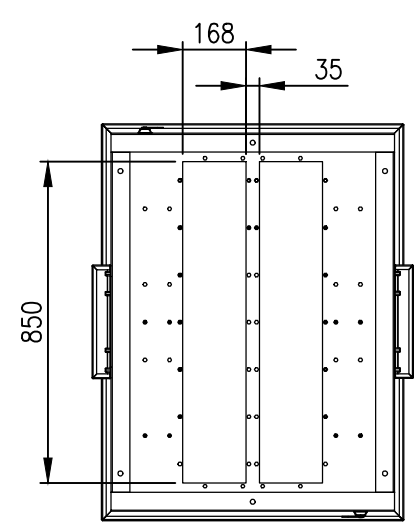
RIGHT SIDE VIEW



FRONT INTERIOR VIEW
(DOOR REMOVED)



SECTION A-A



BOTTOM VIEW

MATERIAL
 BODY AND PLINTH: 2.5mm MARINE GRADE ALUMINIUM
 DOORS: 2.5mm MARINE GRADE ALUMINIUM
 19" DATA RAILS: 1.5mm GALVANISED STEEL SHEET
 GLAND PLATE: 3.0mm ALUMINIUM
 SEAL: POLYURETHANE
 SURFACE TREATMENT: POWDER-COAT 80-120micron
 COLOUR: RAL7035 GREY, SMOOTH FINISH

PROTECTION: IP55 (EXCLUDING FAN/FILTER CUTOUTS)
 STANDARD: IEC62208, IEC/EN/AS60529, EIA-310D

© IP ENCLOSURES 2023.
 THIS DRAWING SHALL NOT BE COPIED OR REPRODUCED
 WITHOUT AUTHORISATION FROM IP ENCLOSURES.
 www.ipenclosures.com.au

| | | | | | | |
|-------------------|------------------|--|--------------------------|-------------------------------------|-----------------------|--------------|
| Itemref | Quantity | Title/Name, designation, material, dimension etc | | | Article No./Reference | |
| Designed by IP | Checked by IP | Approved by - date 16/02/23 | Filename IP-A13775100 | Date 16/02/23 | Scale 1:20 | |
| | | | | 24U CABINET ALUMINIUM 1375x750x1000 | | |
| | | | | IP-A13775100 | Edition 0 | Sheet 1/1 |