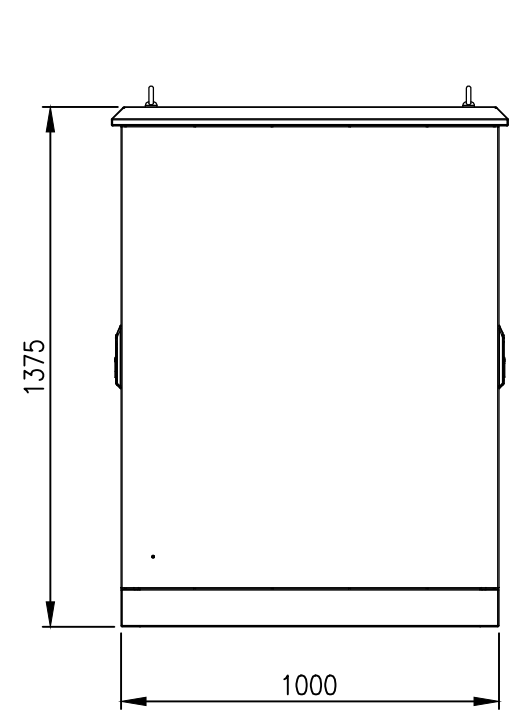
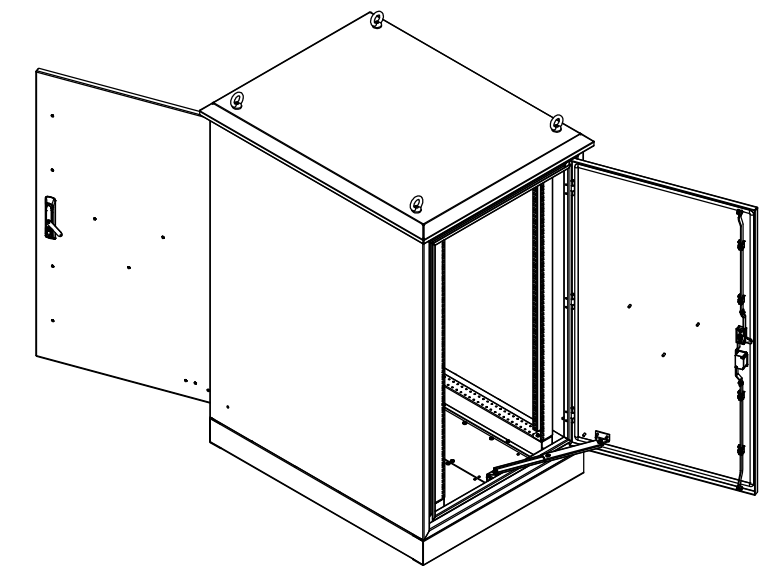
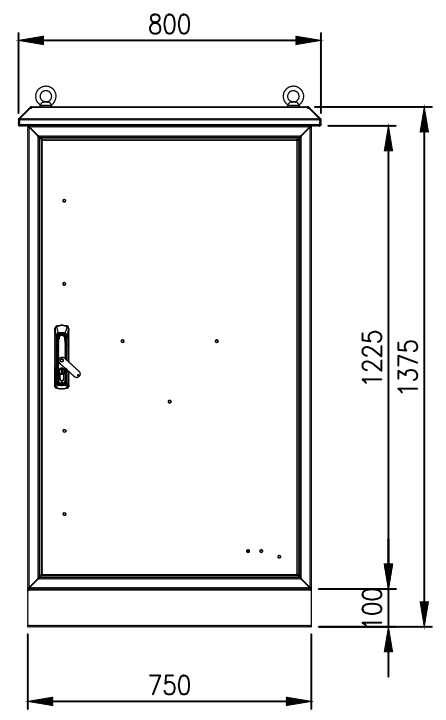


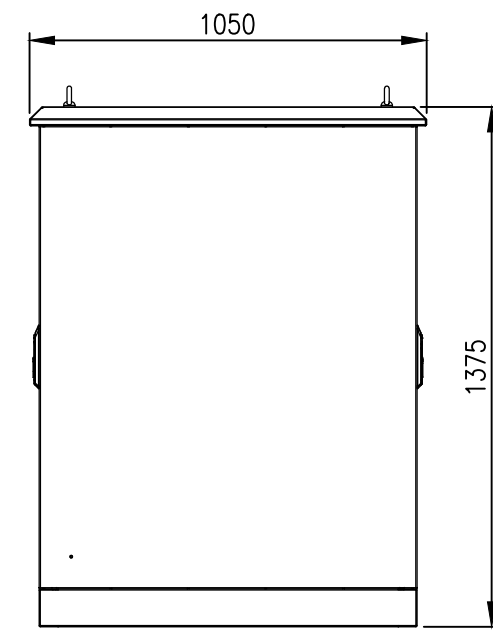
TOP VIEW



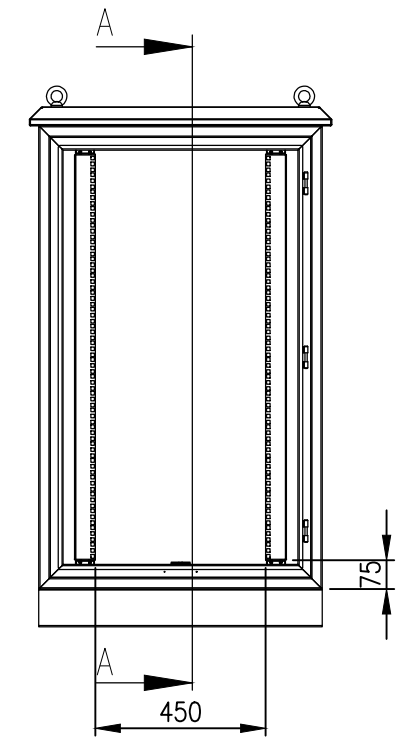
LEFT SIDE VIEW



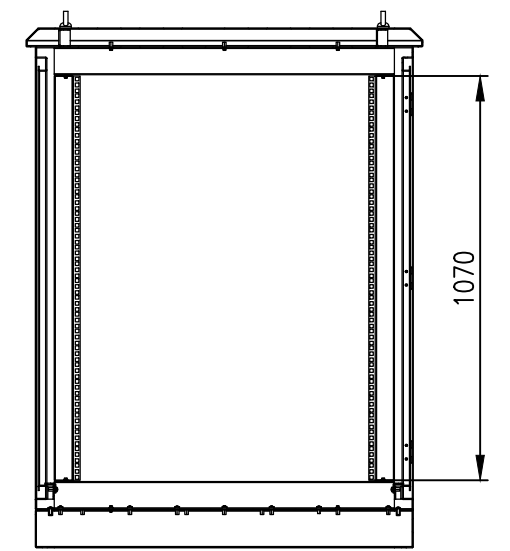
FRONT VIEW (ASSEMBLY)



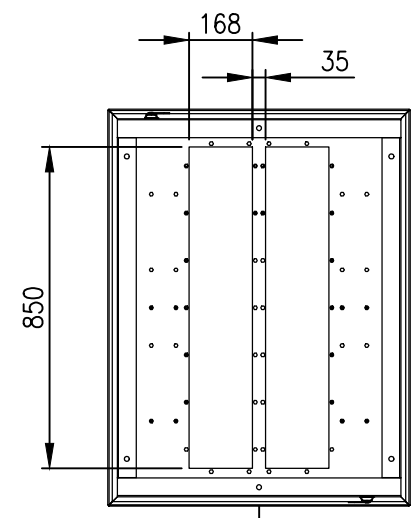
RIGHT SIDE VIEW



FRONT INTERIOR VIEW (DOOR REMOVED)



SECTION A-A



BOTTOM VIEW

**MATERIAL**  
 BODY AND PLINTH: 2.5mm MARINE GRADE ALUMINIUM  
 DOORS: 2.5mm MARINE GRADE ALUMINIUM  
 19" DATA RAILS: 1.5mm GALVANISED STEEL SHEET  
 GLAND PLATE: 3.0mm ALUMINIUM  
 SEAL: POLYURETHANE  
 SURFACE TREATMENT: POWDER-COAT 80-120micron  
 COLOUR: RAL7035 GREY, SMOOTH FINISH

PROTECTION: IP66  
 STANDARD: IEC62208, IEC/EN/AS60529, EIA-310D

© IP ENCLOSURES 2023.  
 THIS DRAWING SHALL NOT BE COPIED OR REPRODUCED  
 WITHOUT AUTHORISATION FROM IP ENCLOSURES.  
 www.ipenclosures.com.au

Itemref	Quantity	Title/Name, designation, material, dimension etc			Article No./Reference	
Designed by IP	Checked by IP	Approved by - date 16/02/23	Filename IP-A13775100-0	Date 16/02/23	Scale 1:20	
24U ALUMINIUM 1375x750x1000 (NO VENTS)						
IP-A13775100-0				Edition 0	Sheet 1/1	

