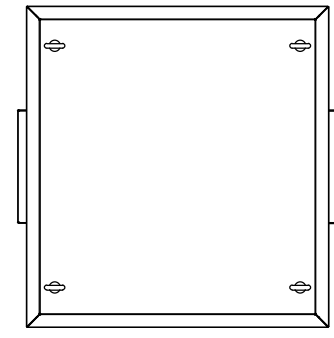
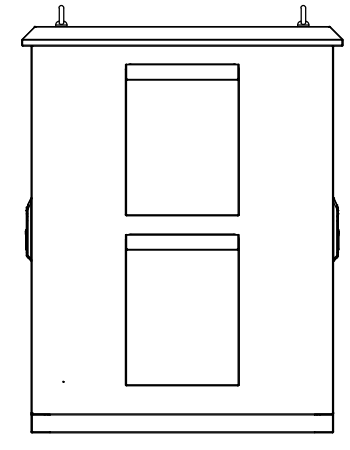


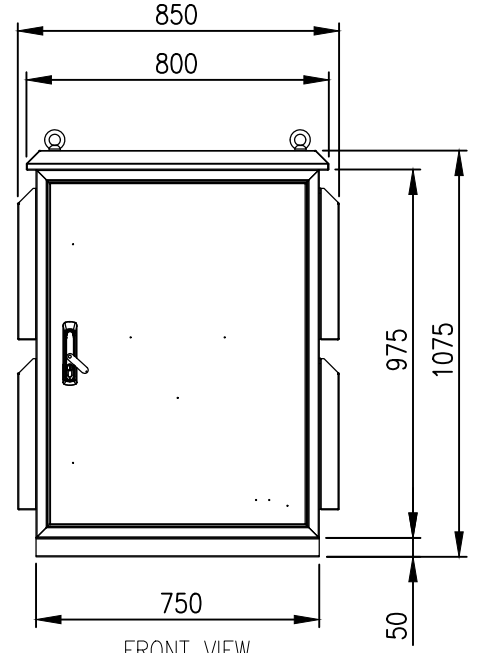
RevNo	Revision note	Date	Signature	Checked
2	GENERAL REVISION	13/01/23	IP	IP



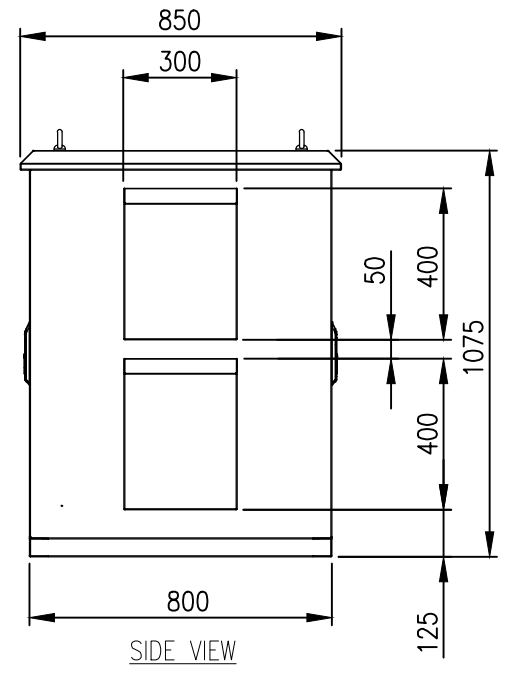
TOP VIEW



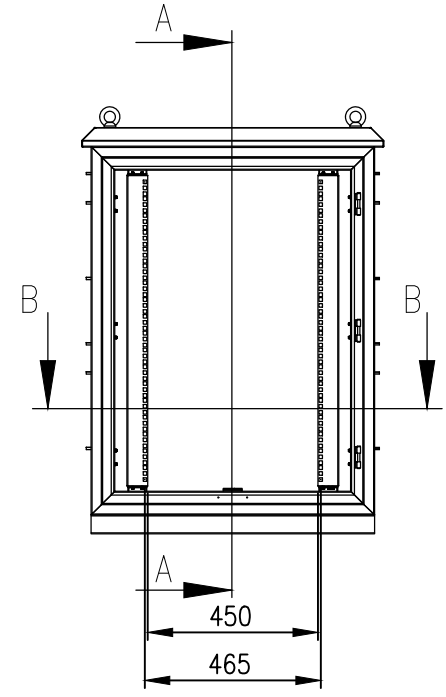
SIDE VIEW



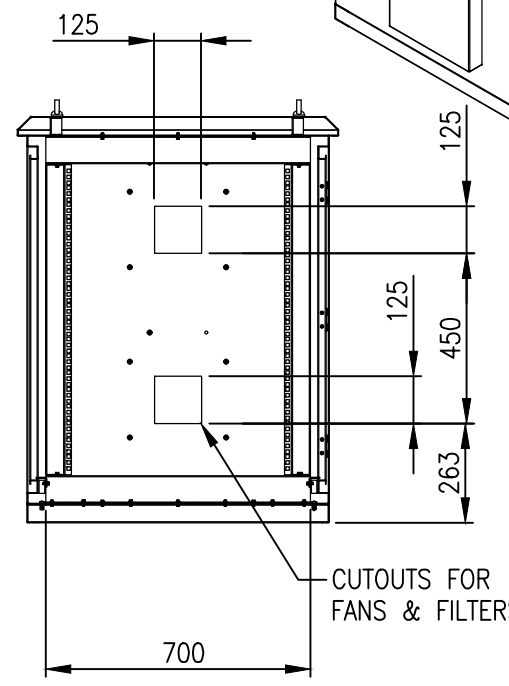
FRONT VIEW (ASSEMBLY)



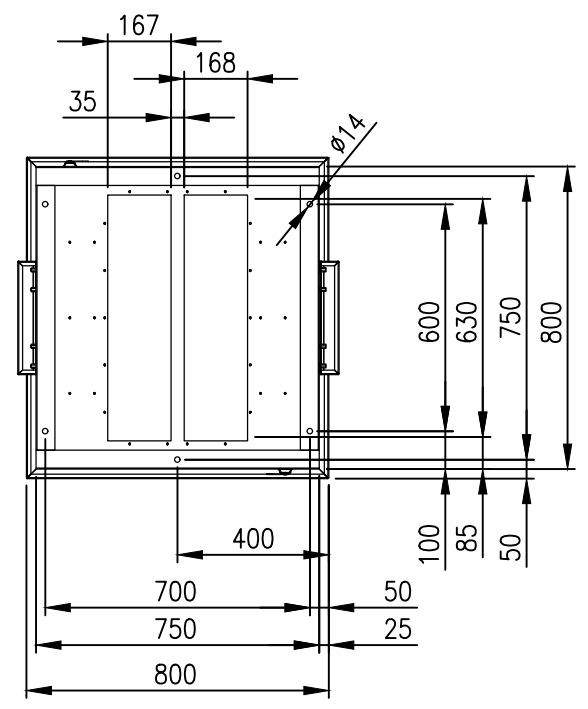
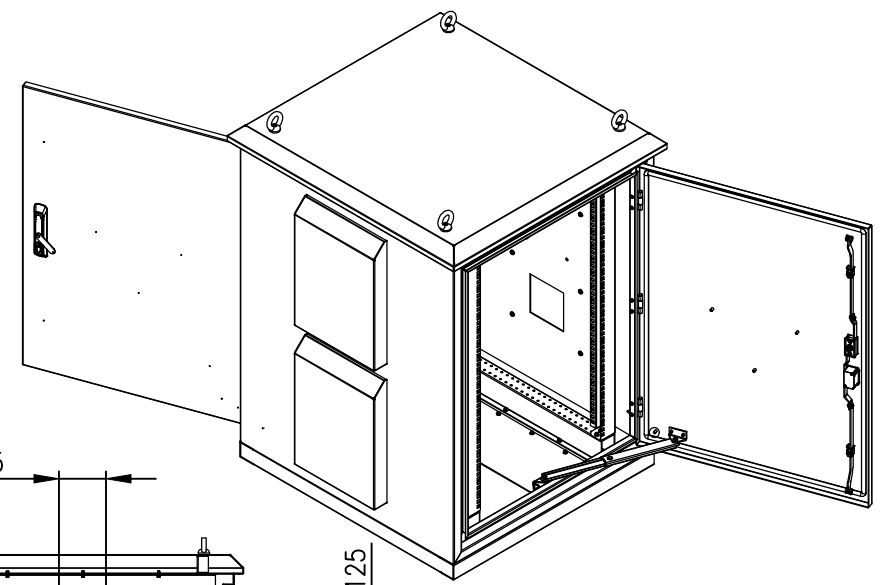
SIDE VIEW



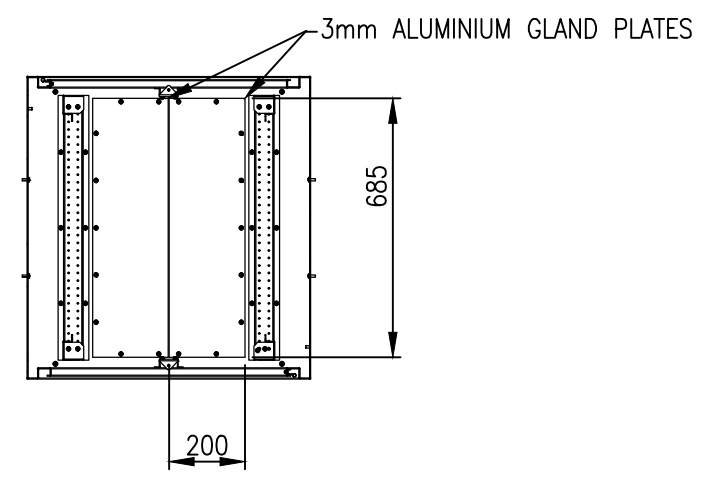
FRONT VIEW (FRONT DOOR REMOVED)



SECTION A-A



BOTTOM VIEW



SECTION B-B

**MATERIAL**  
 BODY AND PLINTH: 2.0mm GALVANISED STEEL SHEET  
 DOORS: 2.0mm POWDERCOATED GALVANISED SHEET  
 19" DATA RAILS: 1.5mm GALVANISED STEEL SHEET  
 SEAL: POLYURETHANE  
 SURFACE TREATMENT: POWDER-COAT 80-120micron  
 COLOUR: RAL7035 LIGHT GREY, SMOOTH FINISH

PROTECTION: IP55 (EXCLUDING FANS/FILTER CUTOUTS)  
 STANDARD: IEC62208, IEC/EN/AS60529, EIA-310D

© IP ENCLOSURES 2017.  
 THIS DRAWING SHALL NOT BE COPIED OR REPRODUCED  
 WITHOUT AUTHORISATION FROM IP ENCLOSURES.  
 www.ipenclosures.com.au

Itemref	Quantity	Title/Name, designation, material, dimension etc	Article No./Reference
Designed by	Checked by	Approved by - date	Filename
IP	IP	05/06/19	IP-A1077580
Date	Scale	18U IP55 19" CABINET 1075x750x800	
05/06/19	1:20	IP-A1077580	Edition 2
		Sheet 1/1	