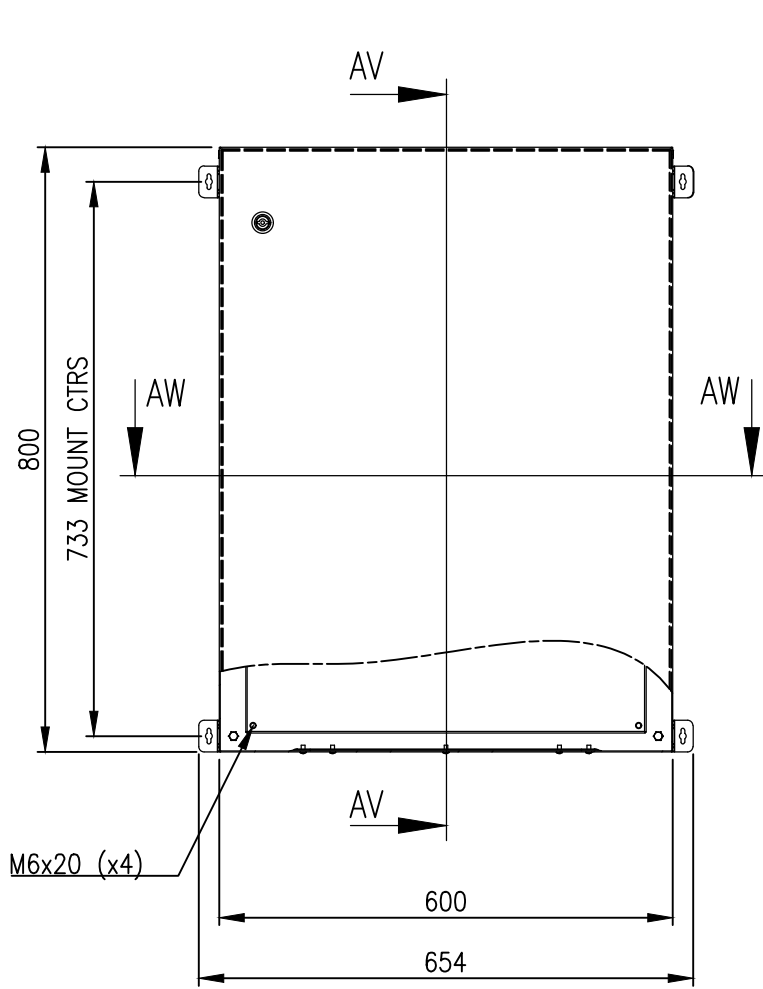
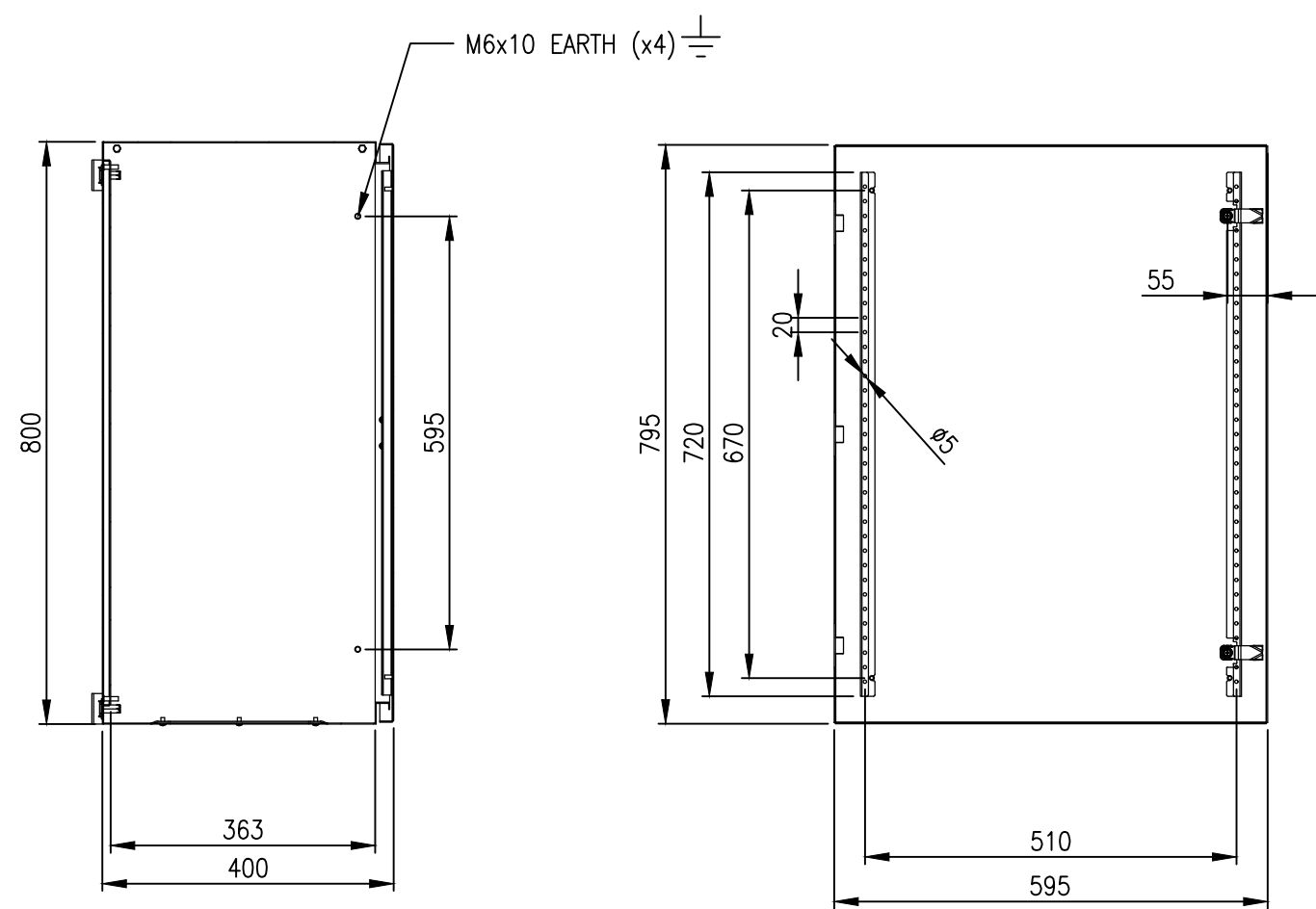


RevNo	Revision note	Date	Signature	Checked
	GENERAL REVISION		IP	IP

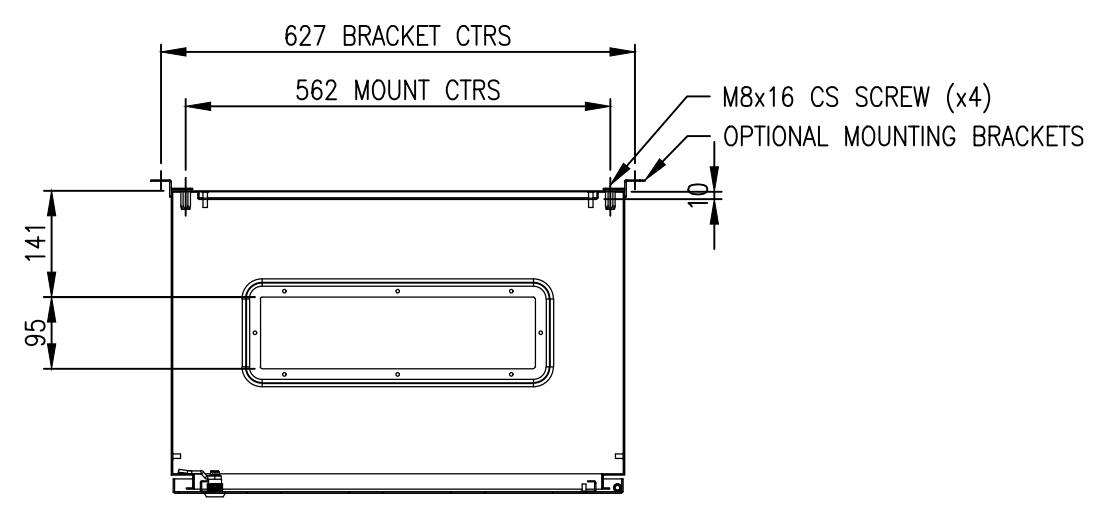
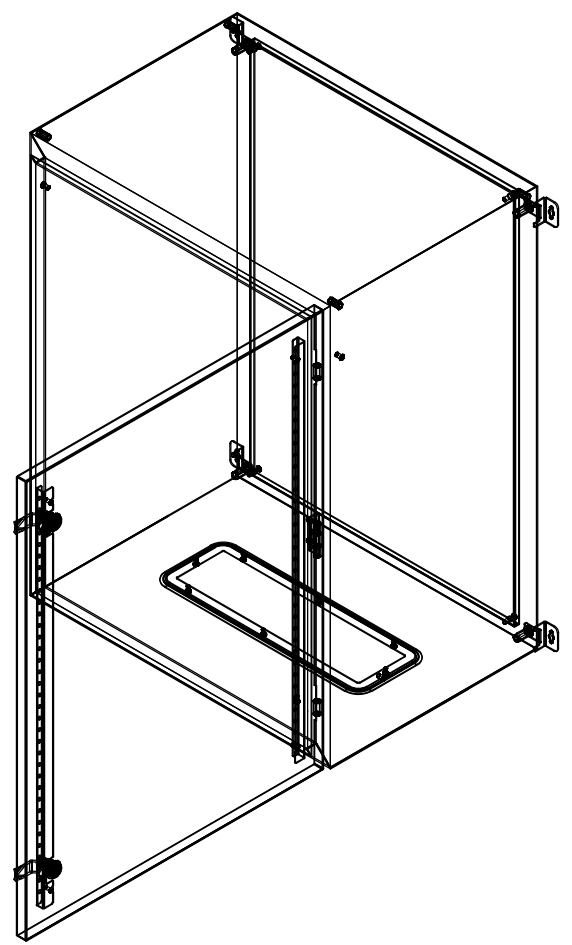


FRONT VIEW

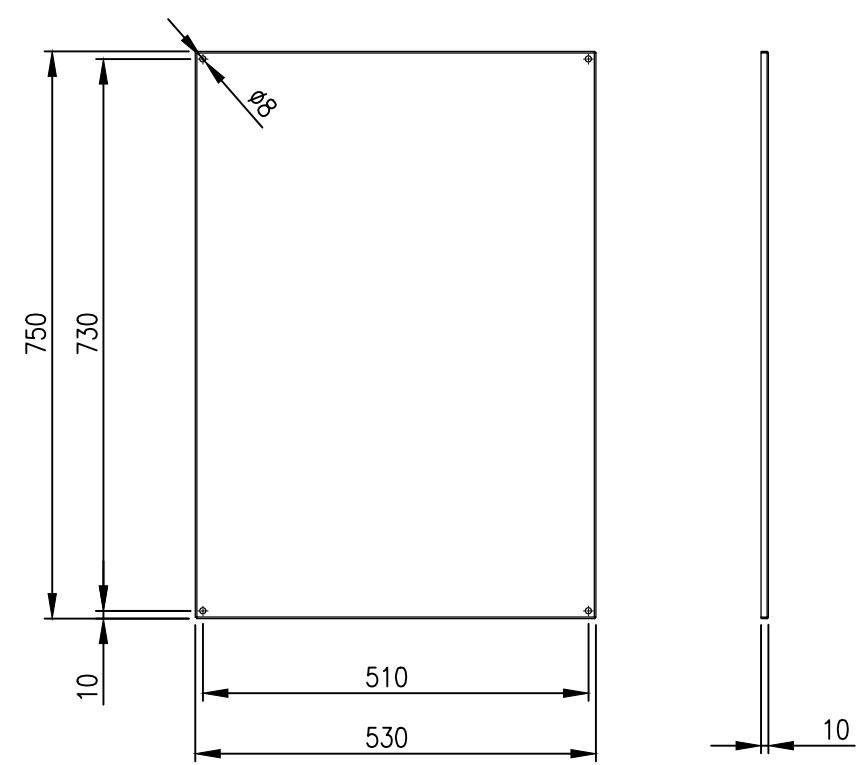


SECTION AV-AV

INSIDE DOOR VIEW



SECTION AW-AW



DEVICE MOUNTING PLATE

MATERIAL
 BODY: 1.5mm GALVANISED STEEL SHEET
 DOOR: 1.5mm GALVANISED STEEL SHEET
 DEVICE PLATE: 1.5mm GALVANISED STEEL SHEET
 SEAL: POLYURETHANE
 SURFACE TREATMENT: POWDER-COAT 80-120micron

PROTECTION: IP66 IK10, NEMA 4
STANDARD: IEC62208, IEC/EN/AS60529

© IP ENCLOSURES 2023.
 THIS DRAWING SHALL NOT BE COPIED OR REPRODUCED
 WITHOUT AUTHORISATION FROM IP ENCLOSURES.
 www.ipenclosures.com.au

Itemref	Quantity	Title/Name, designation, material, dimension etc	Article No./Reference
IP	1	800x600x400 STEEL ENCLOSURE	IP-806040
Designed by	Checked by	Approved by - date	Filename
IP	IP	01/06/23	IP-806040
Date	Scale	Edition	
01/06/23	1:10	0	
Sheet			1/1