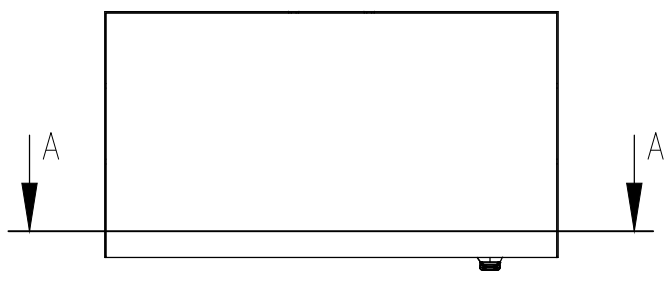
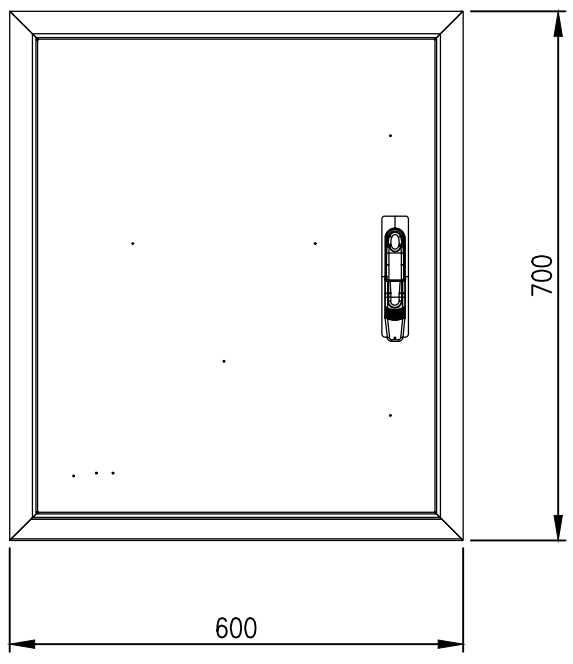
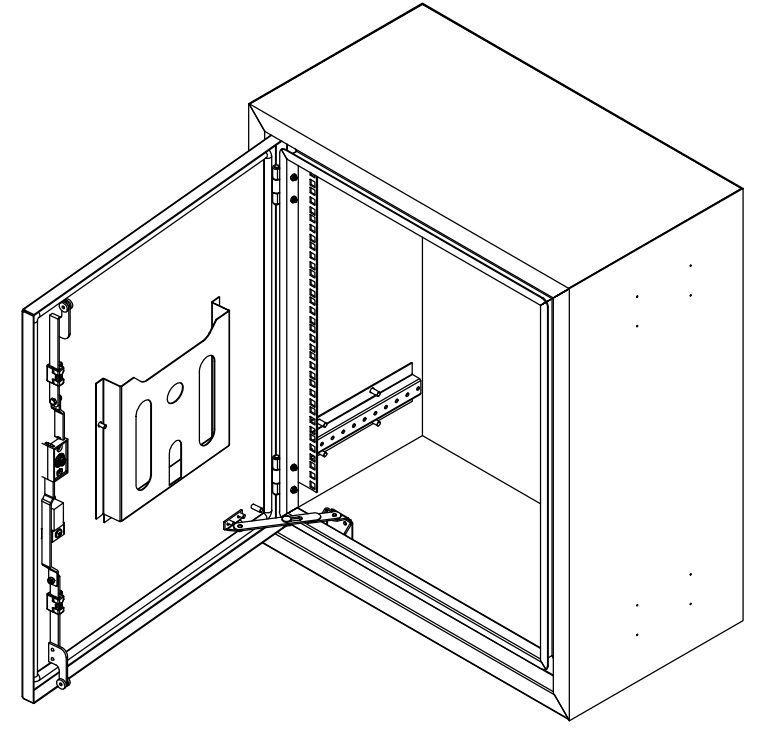


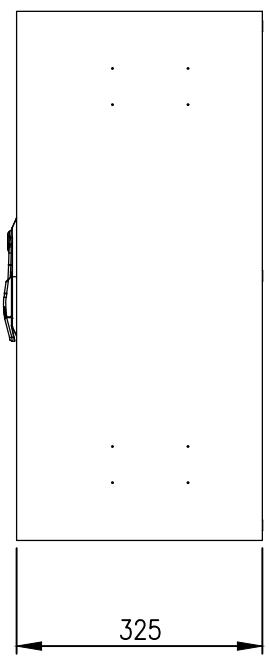
RevNo	Revision note	Date	Signature	Checked
1	GENERAL REVISION	31/03/23	IP	IP



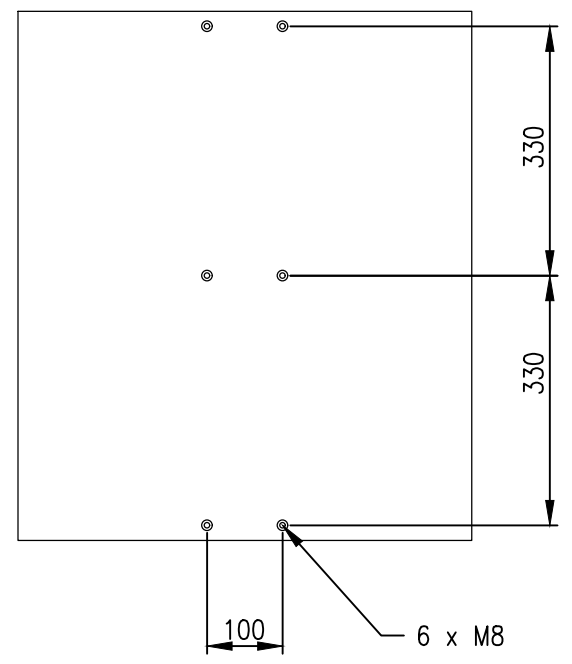
TOP VIEW



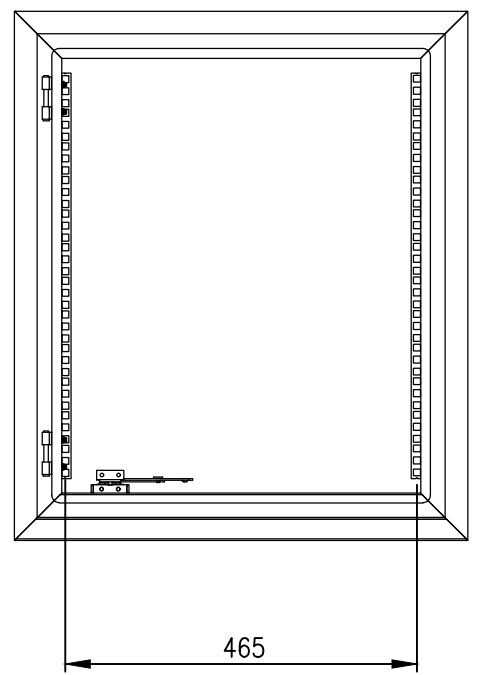
FRONT VIEW



SIDE VIEW



REAR VIEW



SECTION AA

**MATERIAL**  
 BODY: 1.5mm GALVANISED STEEL SHEET  
 DOOR: 2.0mm GALVANISED STEEL SHEET  
 19" DATA RACK RAILS: 1.5mm GALVANISED STEEL  
 SEAL: POLYURETHANE  
 SURFACE TREATMENT: POWDER-COAT 80-120micron

**PROTECTION:** IP66  
**STANDARD:** IEC62208, IEC/EN/AS60529

© IP ENCLOSURES 2016.  
 THIS DRAWING SHALL NOT BE COPIED OR REPRODUCED  
 WITHOUT AUTHORISATION FROM IP ENCLOSURES.  
 www.ipenclosures.com.au

Itemref	Quantity	Title/Name, designation, material, dimension etc			Article No./Reference	
Designed by	Checked by	Approved by - date	Filename	Date	Scale	
IP	IP	08/07/21	IP-706032-0	08/07/21	1:10	
				700x600x325 FIELD CABINET (NO VENTS)		
				IP-706032-0	Edition 1 / Sheet 1/1	