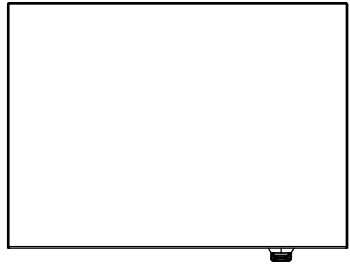
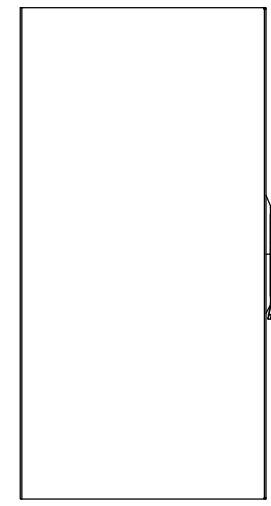
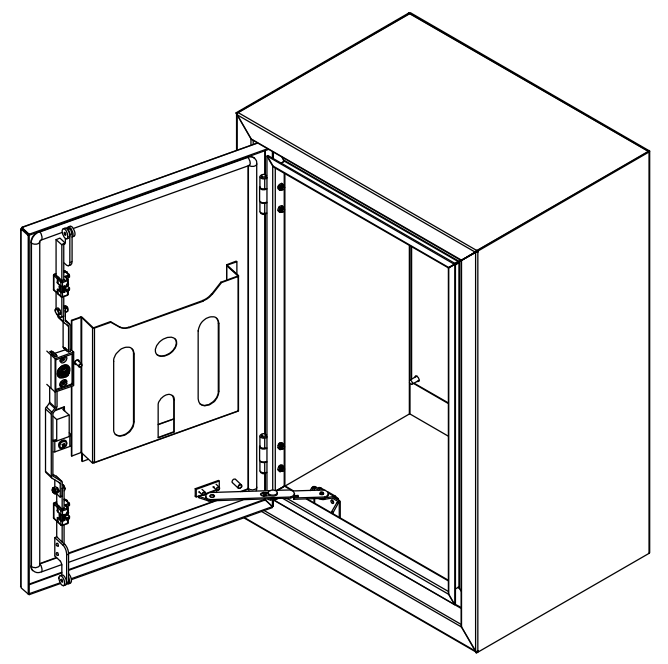


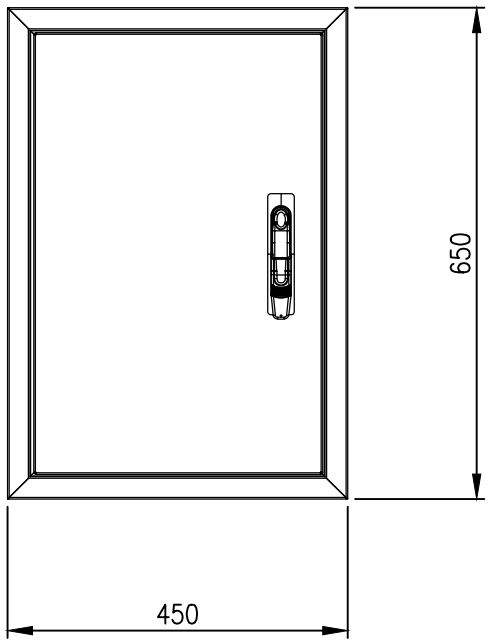
RevNo	Revision note	Date	Signature	Checked
1	GENERAL REVISION	31/03/23	IP	IP



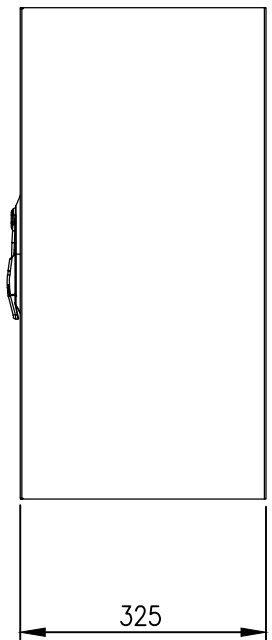
TOP VIEW



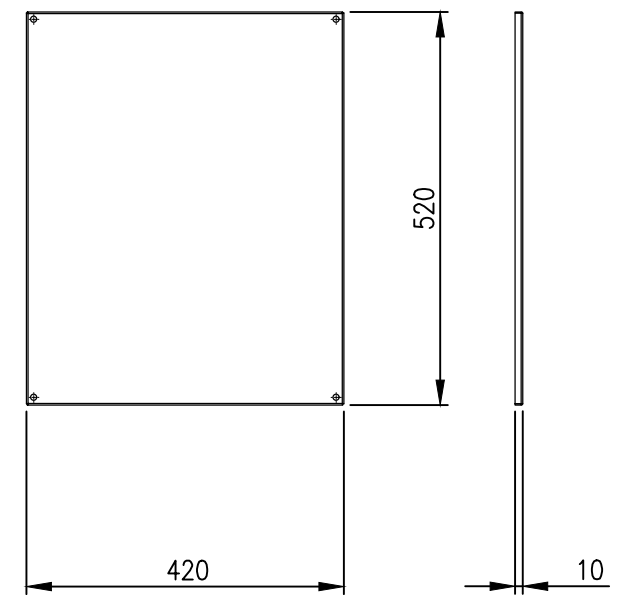
SIDE VIEW



FRONT VIEW



SIDE VIEW



DEVICE MOUNTING PLATE

**MATERIAL**  
 BODY: 1.5mm GALVANISED STEEL SHEET  
 DOOR: 2.0mm GALVANISED STEEL SHEET  
 SEAL: POLYURETHANE  
 SURFACE TREATMENT: POWDER-COAT 80-120micron

**PROTECTION:** IP66  
**STANDARD:** IEC62208, IEC/EN/AS60529

© IP ENCLOSURES 2016.  
 THIS DRAWING SHALL NOT BE COPIED OR REPRODUCED  
 WITHOUT AUTHORISATION FROM IP ENCLOSURES.  
 www.ipenclosures.com.au

Itemref	Quantity	Title/Name, designation, material, dimension etc		Article No./Reference	
IP	1	650x450x325 FIELD CABINET (NO VENTS)	IP-654532-0	13/10/20	1:10
Designed by	Checked by	Approved by - date	Filename	Date	Scale
IP	IP	13/10/20	IP-654532-0	13/10/20	1:10
IP Enclosures			IP-654532-0	Edition 1	Sheet 1/1