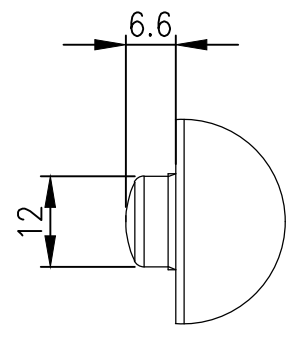
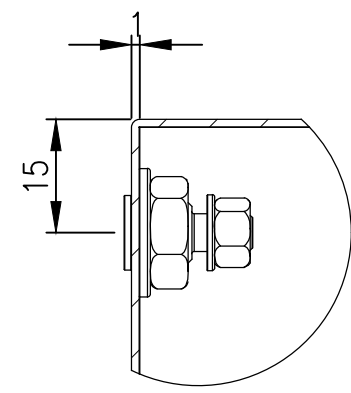


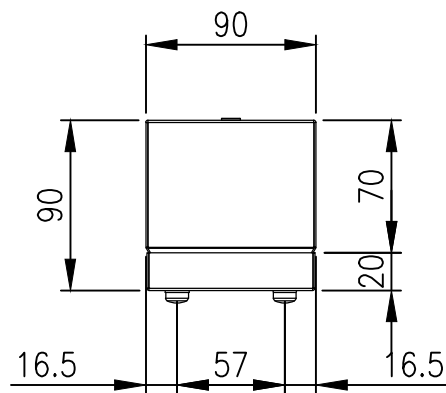
RevNo	Revision note	Date	Signature	Checked
0	GENERAL REVISION		IP	IP



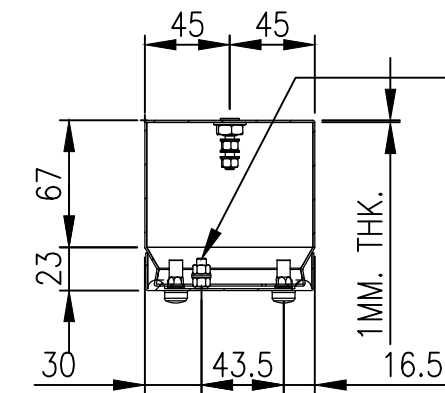
DETAIL A1



DETAIL A2

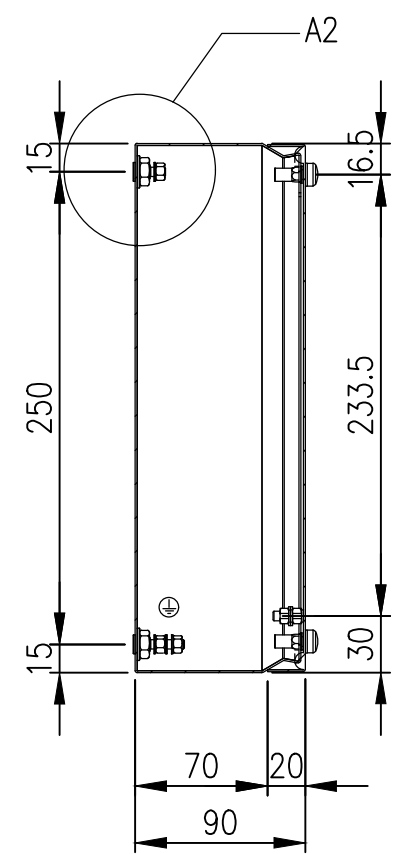


TOP VIEW

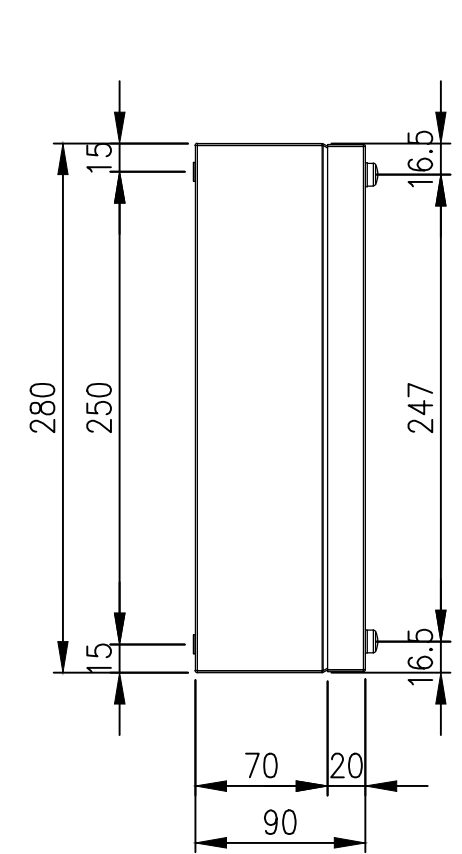


SECTION A-A

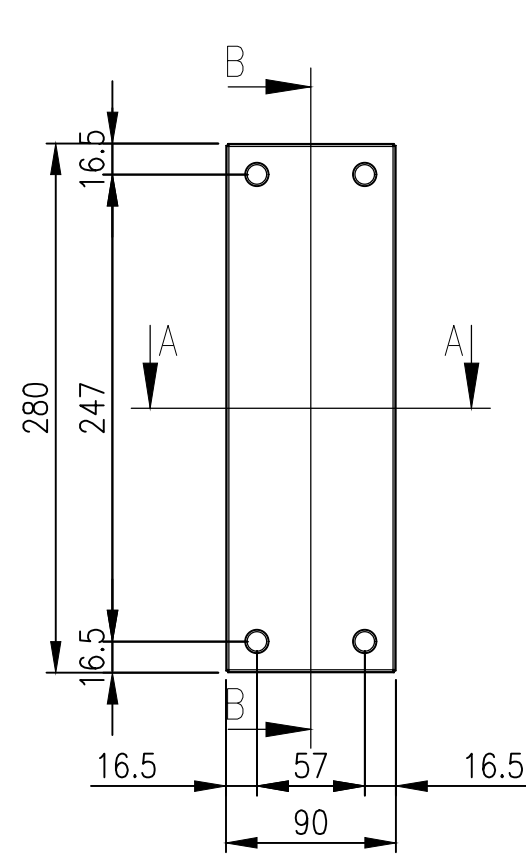
M5x15 THREADED BOLT (x1)



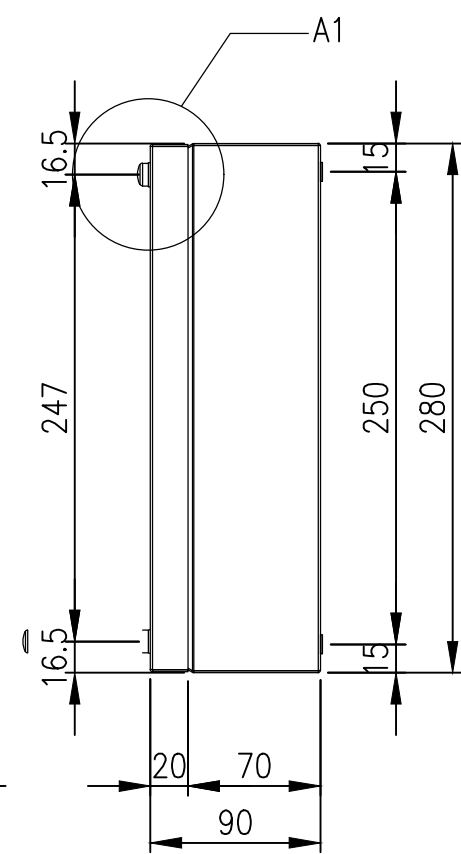
SECTION B-B



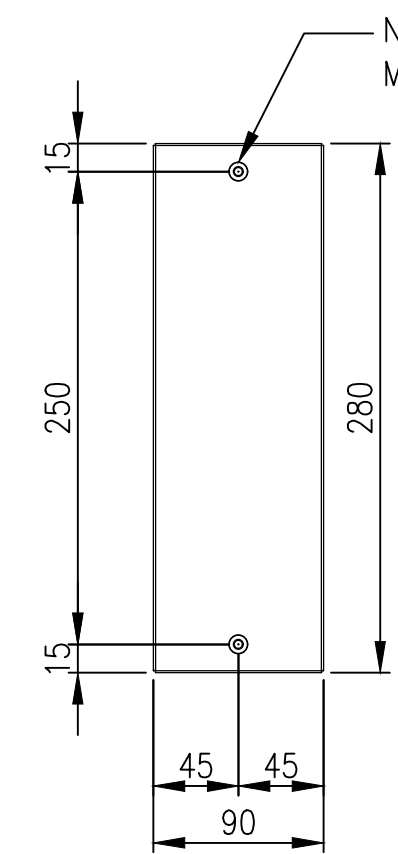
LEFT SIDE VIEW



FRONT VIEW

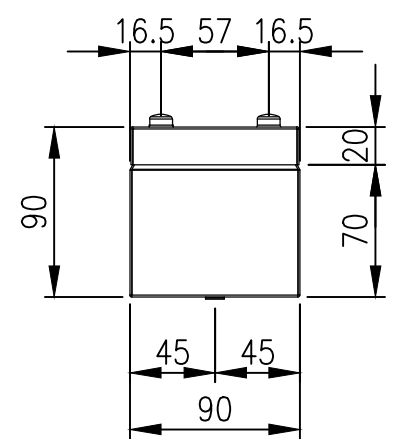
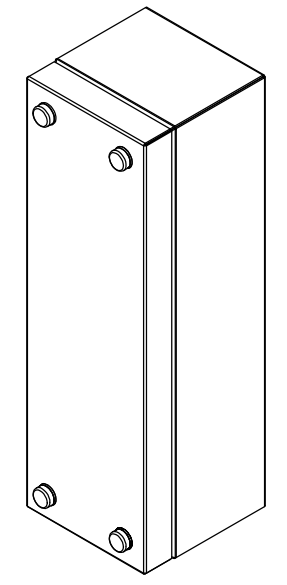


RIGHT SIDE VIEW



REAR VIEW

N°2 BUSHINGS M5 (x2)



BOTTOM VIEW

**MATERIAL**  
 BODY: 1.0mm 304 STAINLESS STEEL  
 DOOR: 1.0mm 304 STAINLESS STEEL  
 SEAL: SILICONE

**PROTECTION:** IP66, NEMA 4x

© IP ENCLOSURES 2022.  
 THIS DRAWING SHALL NOT BE COPIED OR REPRODUCED  
 WITHOUT AUTHORISATION FROM IP ENCLOSURES.  
 www.ipenclosures.com.au

Itemref	Quantity	Title/Name, designation, material, dimension etc	Article No./Reference
IP	1	280x90x90 304SS TERMINAL BOX	IP-304-T280909
Designed by	Checked by	Approved by - date	Filename Date Scale
IP	IP	17/05/22	IP-304-T280909 17/05/22 1:4
Edition			Sheet
0			1/1