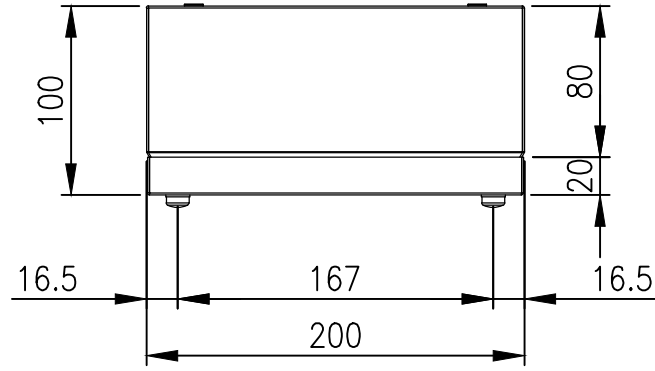
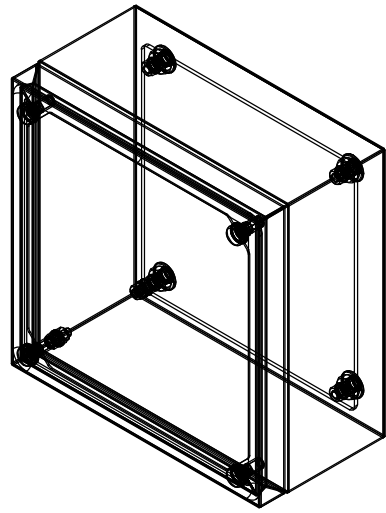
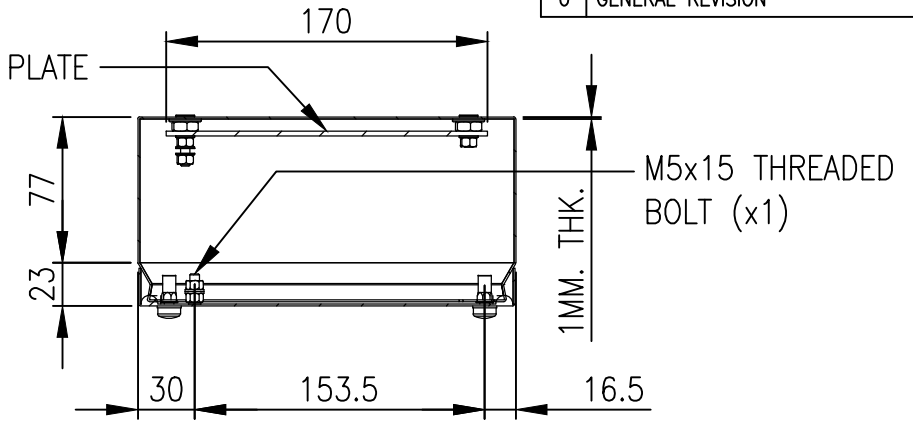


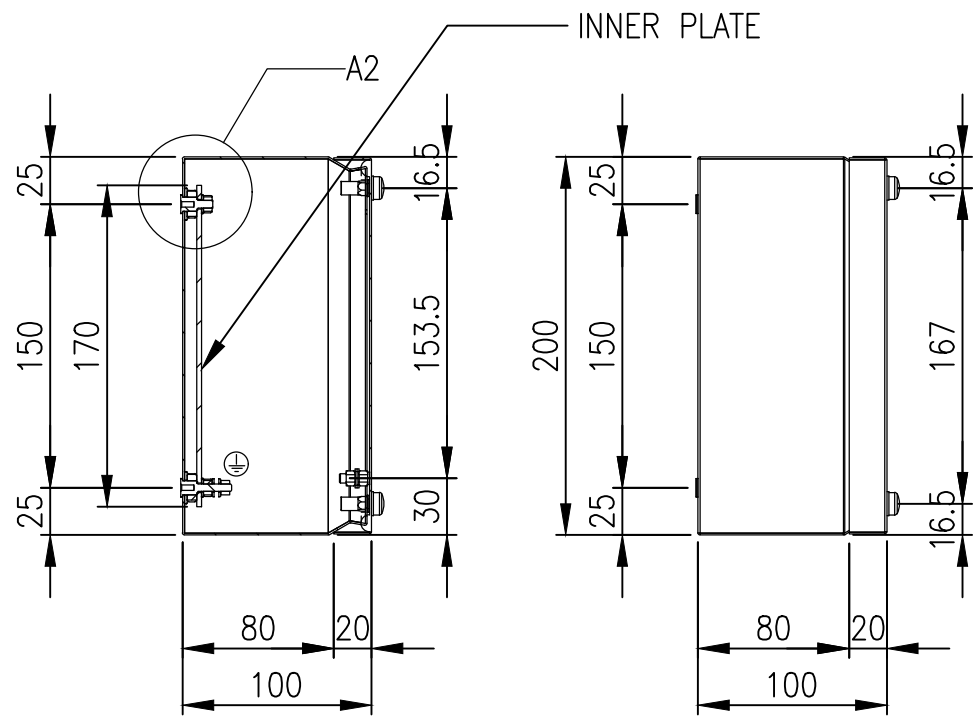
| RevNo | Revision note | Date | Signature | Checked |
|-------|------------------|------|-----------|---------|
| 0 | GENERAL REVISION | | IP | IP |



TOP VIEW

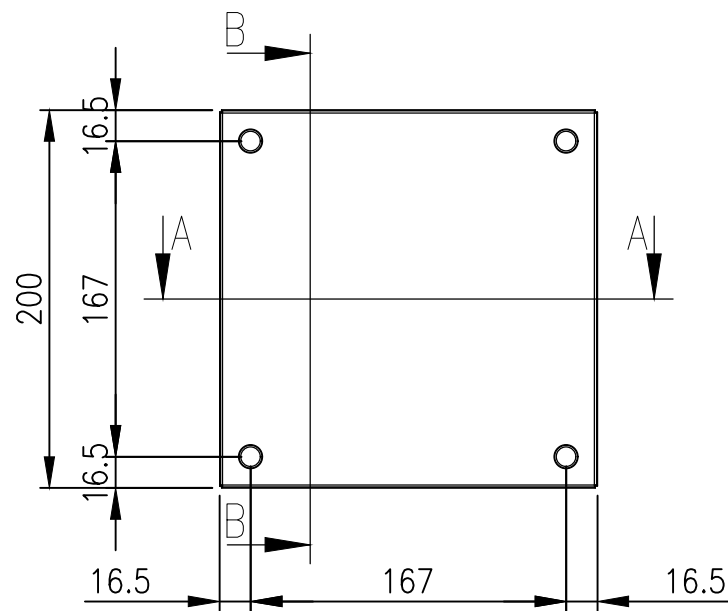


SECTION A-A

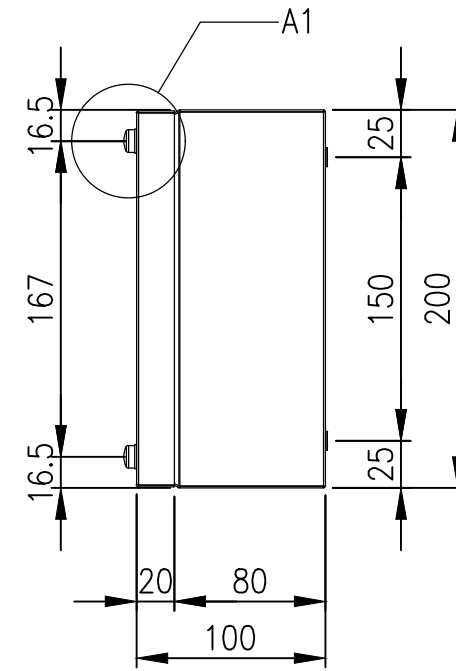


SECTION B-B

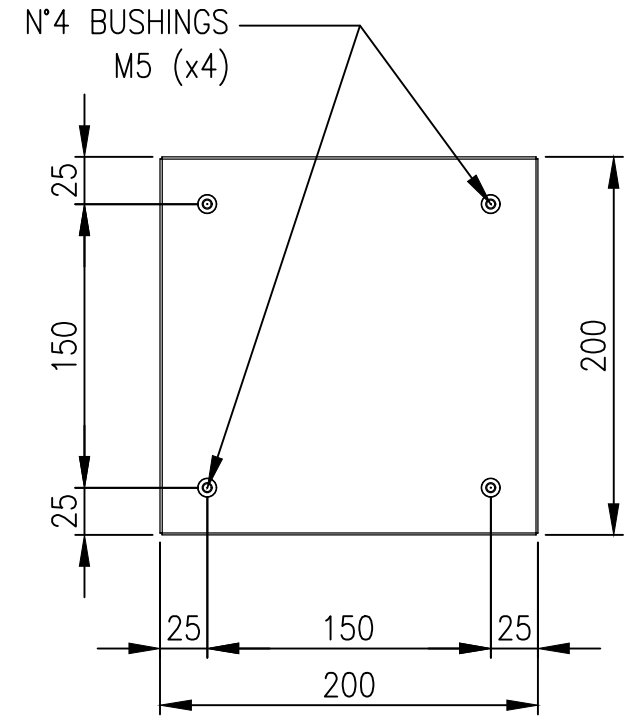
LEFT SIDE VIEW



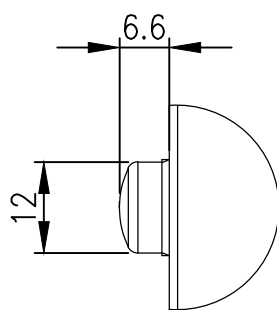
FRONT VIEW



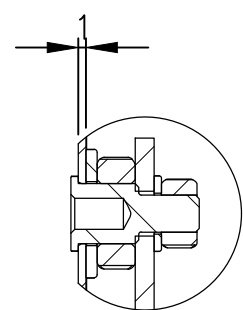
RIGHT SIDE VIEW



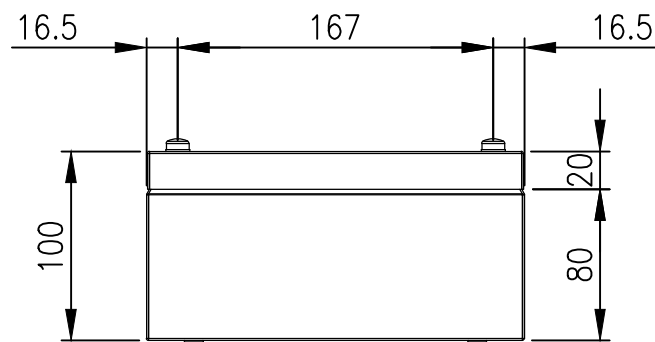
REAR VIEW



DETAIL A1



DETAIL A2



BOTTOM VIEW

MATERIAL
 BODY: 1.0mm 304 STAINLESS STEEL
 DOOR: 1.0mm 304 STAINLESS STEEL
 SEAL: SILICONE

PROTECTION: IP66, NEMA 4x

© IP ENCLOSURES 2022.
 THIS DRAWING SHALL NOT BE COPIED OR REPRODUCED
 WITHOUT AUTHORISATION FROM IP ENCLOSURES.
 www.ipenclosures.com.au

| Itemref | Quantity | Title/Name, designation, material, dimension etc | Article No./Reference |
|-------------|------------|--|-----------------------|
| IP | 1 | 200x200x100 304SS TERMINAL BOX | IP-304-T202010 |
| Designed by | Checked by | Approved by - date | Filename |
| IP | IP | 24/05/22 | IP-304-T202010 |
| Date | Scale | Edition | |
| 24/05/22 | 1:4 | 0 | |
| Sheet | | | 1/1 |