

SST TERMINAL BOX

IP-304-T200909

304 STAINLESS STEEL | IP66

200H x 90W x 90D

The IP Enclosures SST Range of grade 304 stainless steel terminal boxes are designed for use even to the most demanding industrial environments.

Protection: IP66, NEMA 4x

Standard: UL508A Certified 

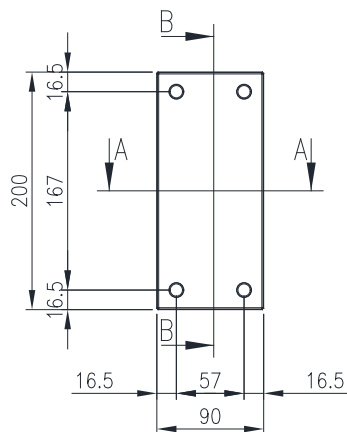
Material:

- Body: 1.0mm. Grade 304 stainless steel
- Door: 1.0mm. Grade 304 stainless steel
- Seal: Silicone

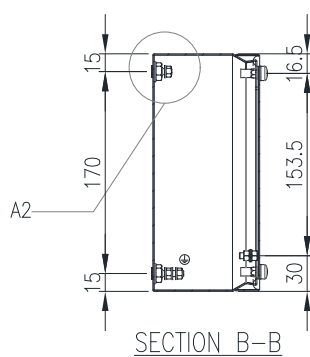
Body: The robust body is fabricated using 1.0mm Grade 304 Stainless Steel and incorporates a high quality Silicone seal.

Lid/Door: The robust pre-drilled lid/door is fabricated using 1.00mm Grade 304 Stainless Steel and is fastened using screws.

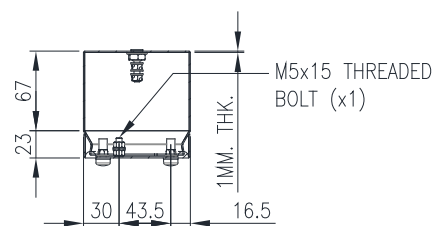
Seal: A high quality Silicone seal.



FRONT VIEW



SECTION B-B



SECTION A-A

