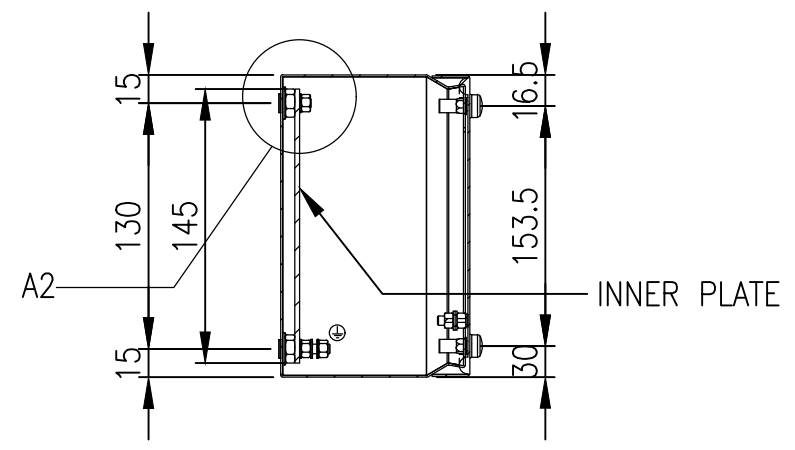
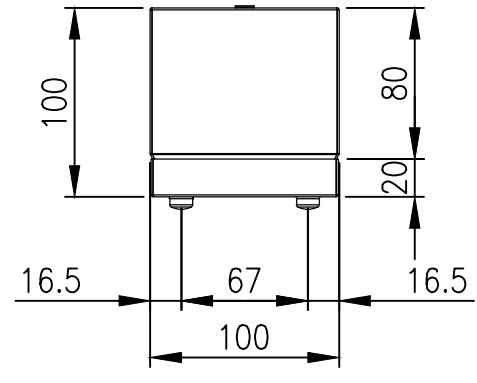


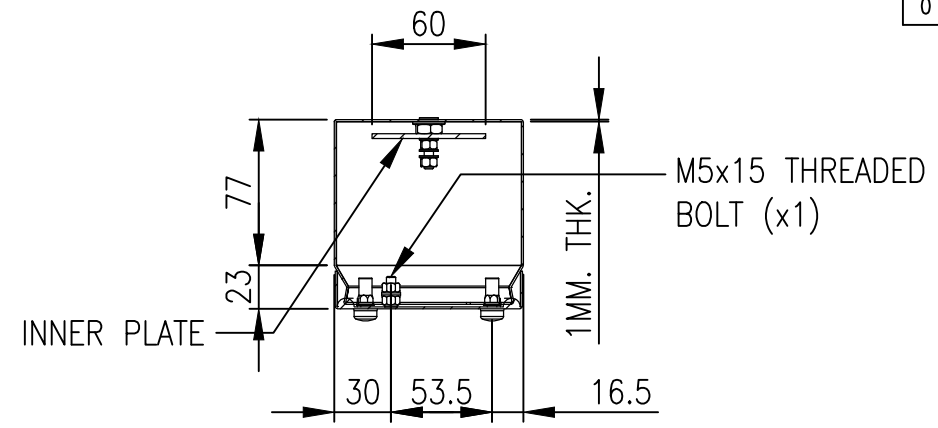
| | | | | |
|-------|------------------|------|-----------|---------|
| RevNo | Revision note | Date | Signature | Checked |
| 0 | GENERAL REVISION | | IP | IP |



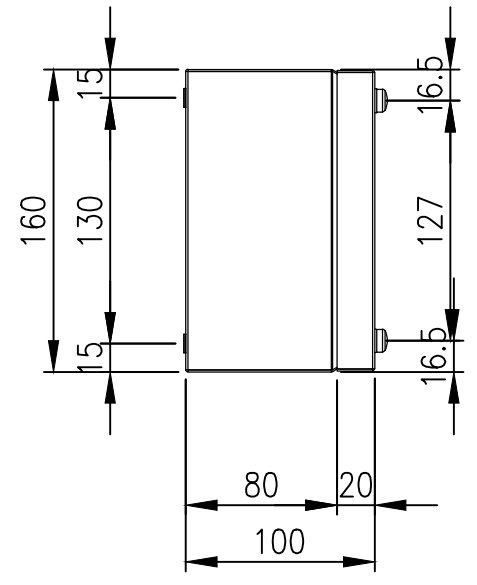
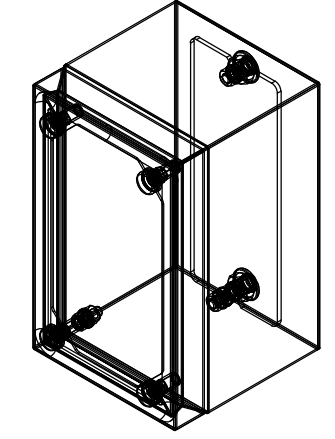
SECTION B-B



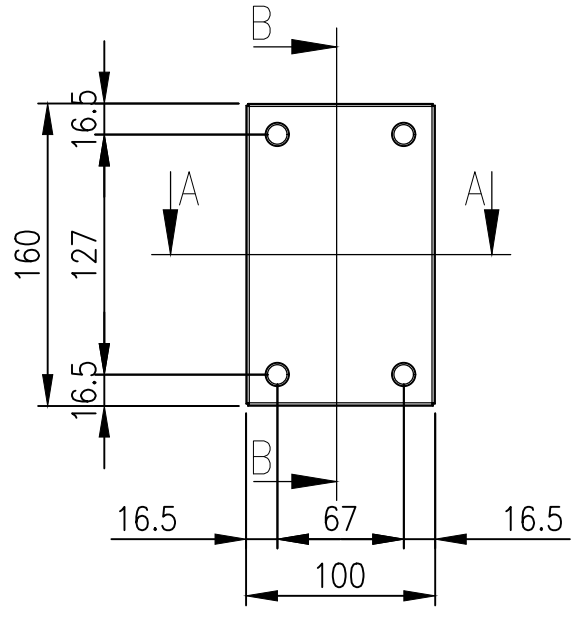
TOP VIEW



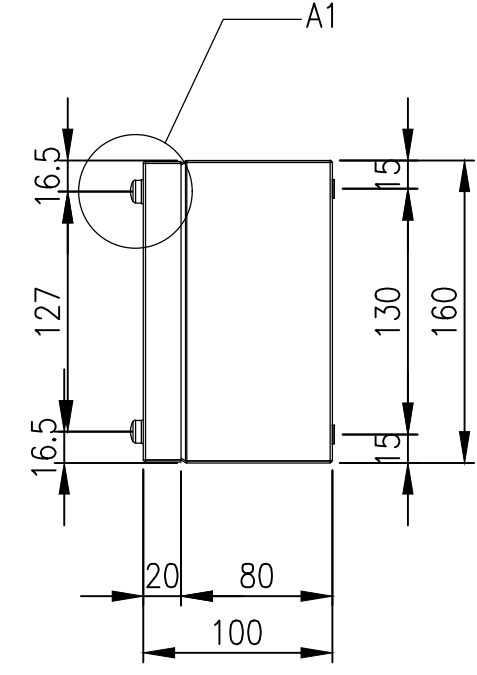
SECTION A-A



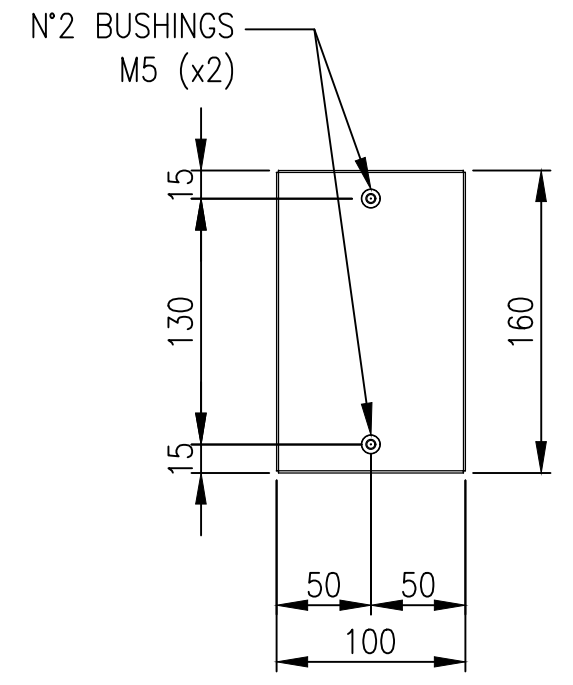
LEFT SIDE VIEW



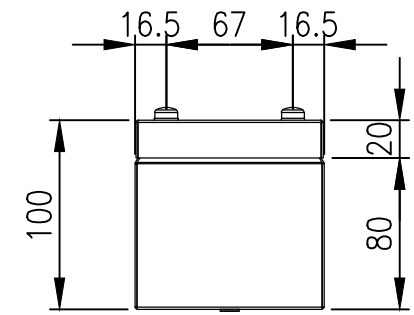
FRONT VIEW



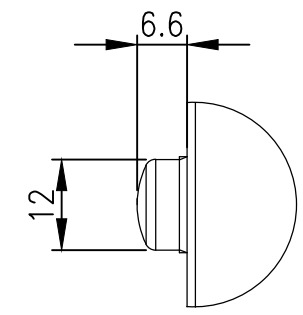
RIGHT SIDE VIEW



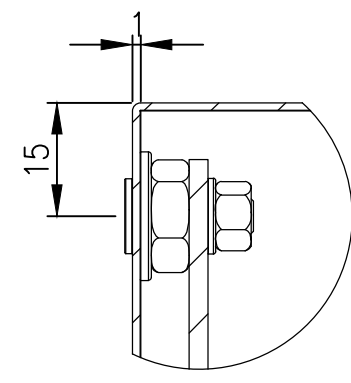
REAR VIEW



BOTTOM VIEW



DETAIL A1



DETAIL A2

MATERIAL
 BODY: 1.0mm 304 STAINLESS STEEL
 DOOR: 1.0mm 304 STAINLESS STEEL
 SEAL: SILICONE

PROTECTION: IP66, NEMA 4x

© IP ENCLOSURES 2022.
 THIS DRAWING SHALL NOT BE COPIED OR REPRODUCED
 WITHOUT AUTHORISATION FROM IP ENCLOSURES.
 www.ipenclosures.com.au

| | | | |
|-------------|------------|--|-----------------------|
| Itemref | Quantity | Title/Name, designation, material, dimension etc | Article No./Reference |
| IP | 1 | 160x100x100 304SS TERMINAL BOX | IP-304-T161010 |
| Designed by | Checked by | Approved by - date | Filename |
| IP | IP | 19/05/22 | IP-304-T161010 |
| Date | Scale | Edition | |
| 19/05/22 | 1:4 | 0 | |
| Sheet | | Sheet | |
| 1/1 | | 1/1 | |