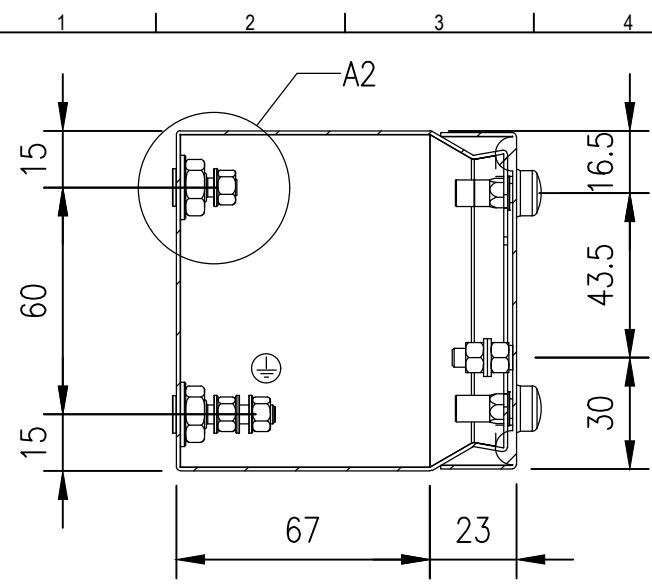
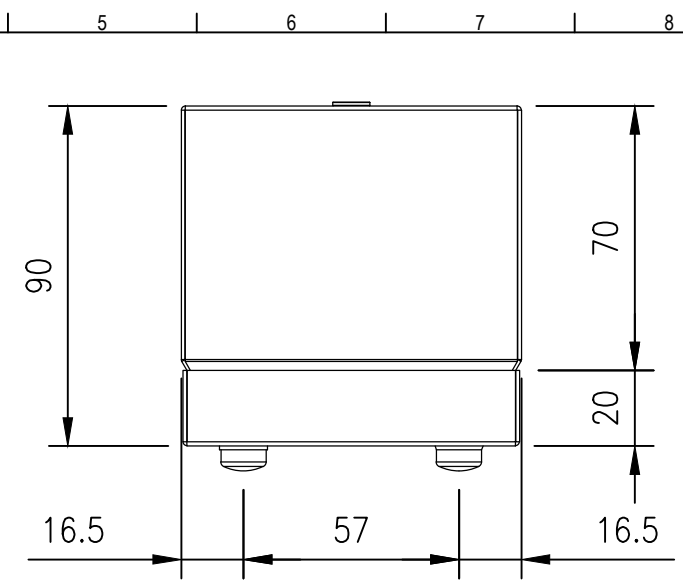


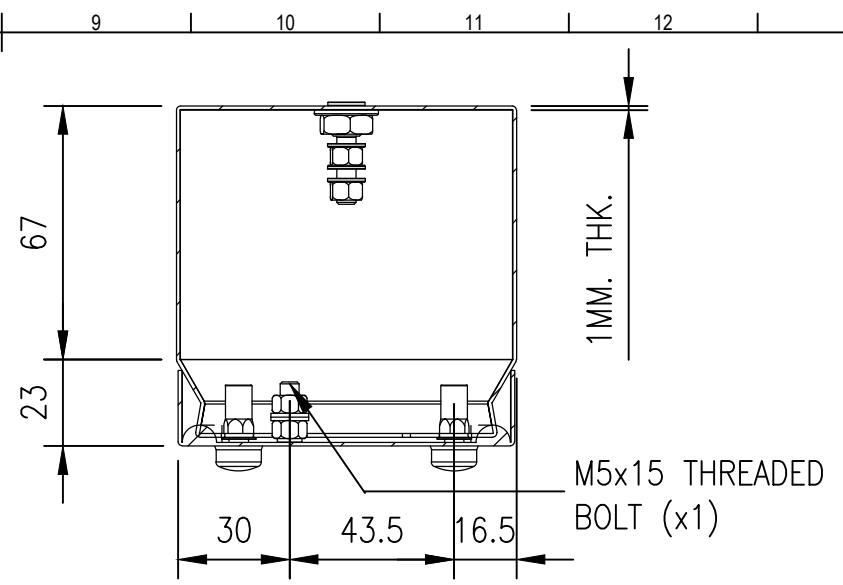
RevNo	Revision note	Date	Signature	Checked
0	GENERAL REVISION		IP	IP



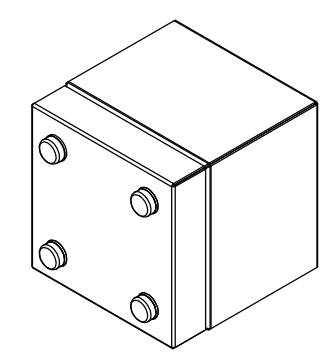
SECTION B-B



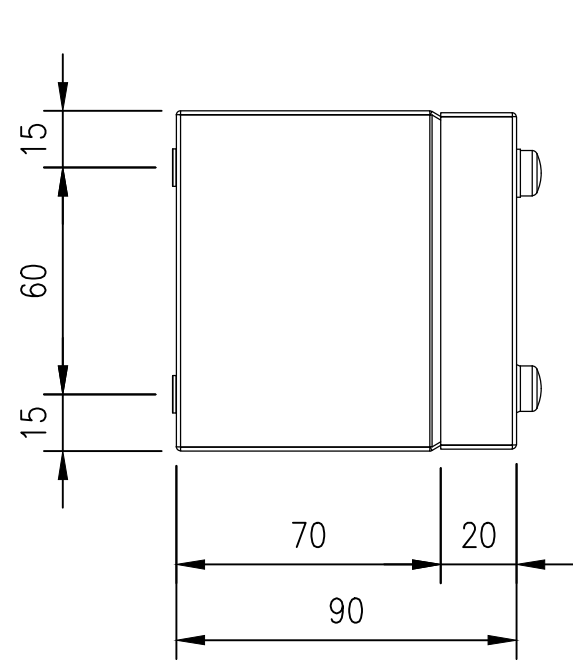
TOP VIEW



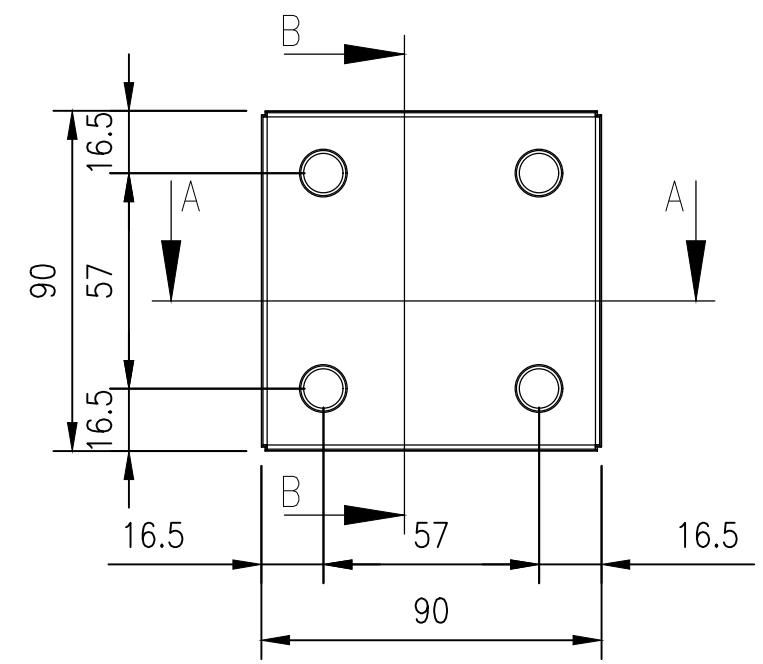
SECTION A-A



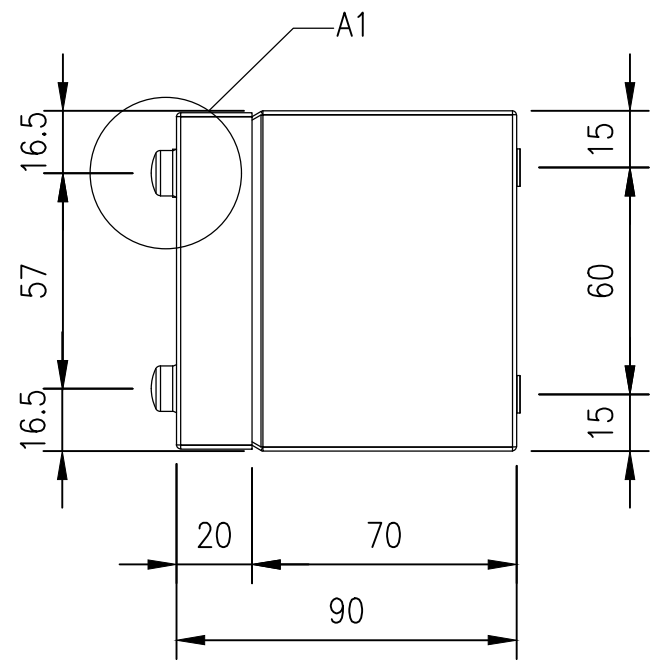
M5x15 THREADED BOLT (x1)



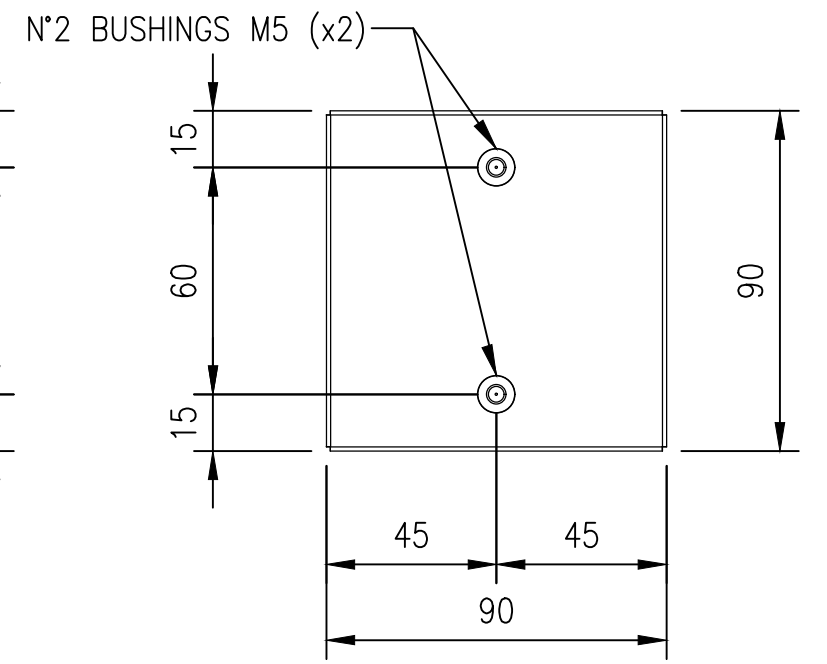
LEFT SIDE VIEW



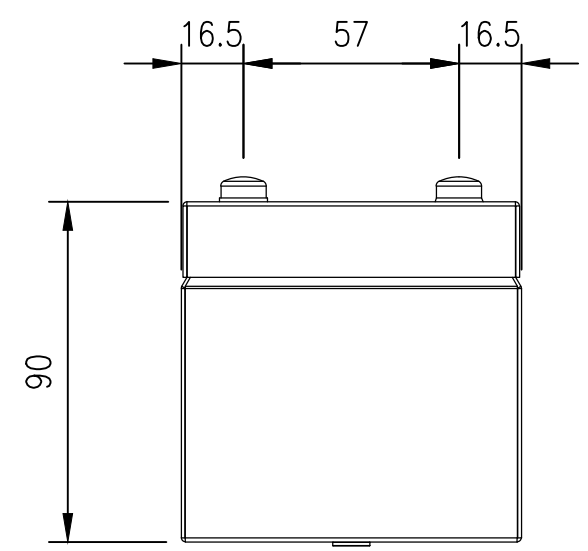
FRONT VIEW



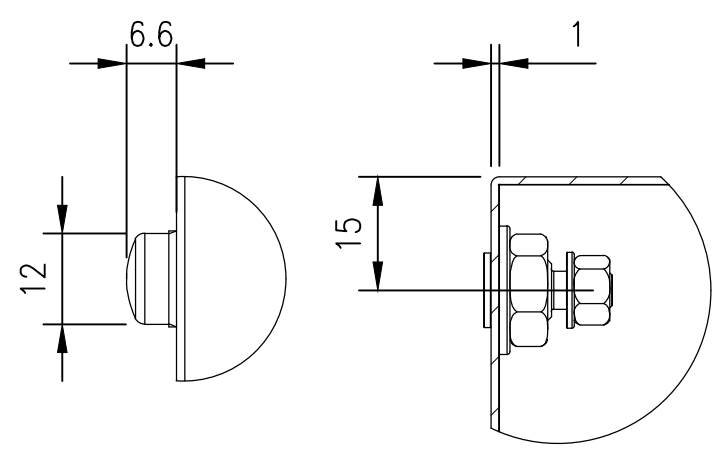
RIGHT SIDE VIEW



REAR VIEW



BOTTOM VIEW



DETAIL A1

DETAIL A2

MATERIAL
 BODY: 1.0mm 304 STAINLESS STEEL
 DOOR: 1.0mm 304 STAINLESS STEEL
 SEAL: SILICONE
 PROTECTION: IP66, NEMA 4x

© IP ENCLOSURES 2022.
 THIS DRAWING SHALL NOT BE COPIED OR REPRODUCED
 WITHOUT AUTHORISATION FROM IP ENCLOSURES.
 www.ipenclosures.com.au

Itemref	Quantity	Title/Name, designation, material, dimension etc	Article No./Reference
Designed by IP	Checked by IP	Approved by - date 17/05/22	Filename IP-304-T090909
		Date 17/05/22	Scale 1:2
			90x90x90 304SS TERMINAL BOX IP-304-T090909
Edition 0			Sheet 1/1