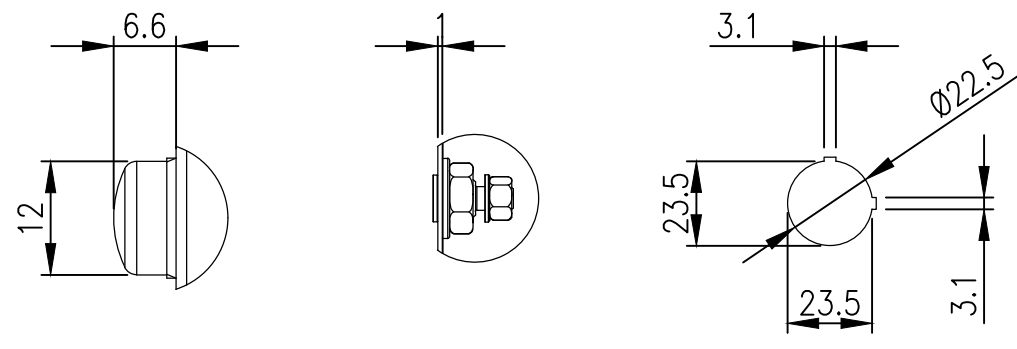
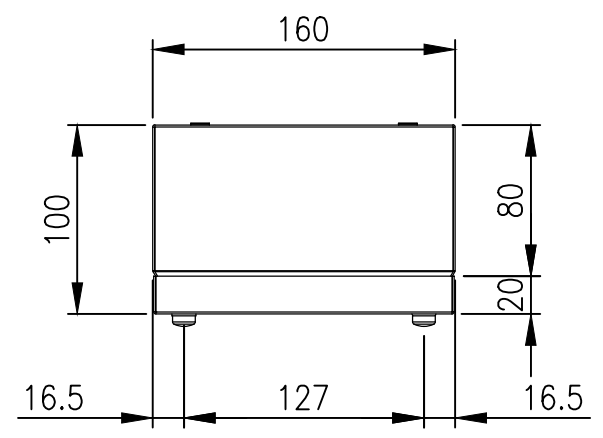


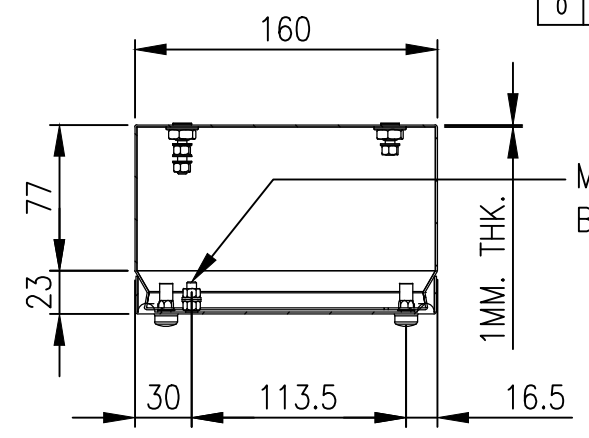
RevNo	Revision note	Date	Signature	Checked
0	GENERAL REVISION		IP	IP



DETAIL A1 DETAIL A2 DETAIL A3

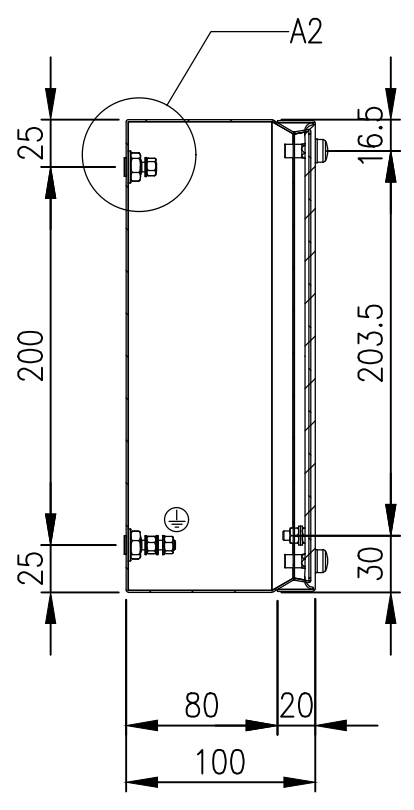


TOP VIEW

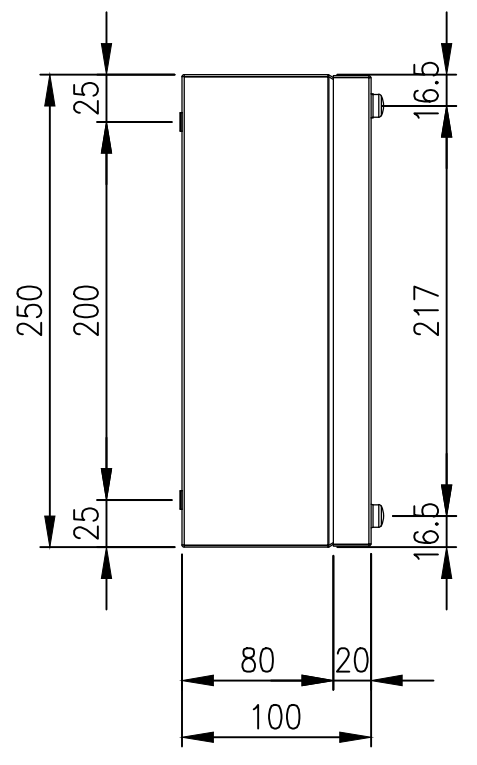


SECTION A-A

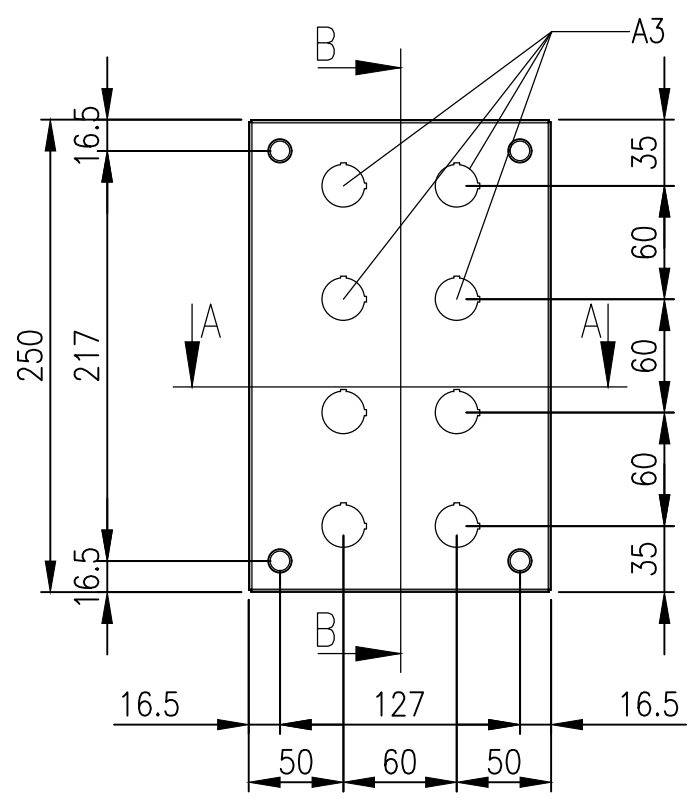
M5x15 THREADED BOLT (x1)
1MM. THK.



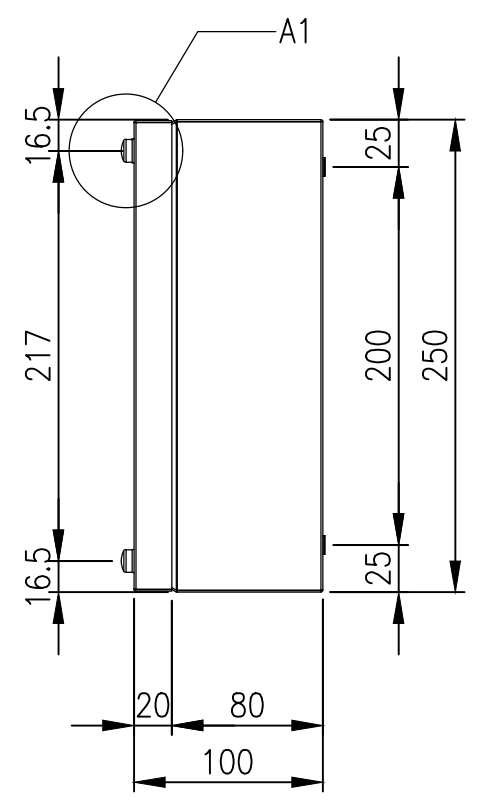
SECTION B-B



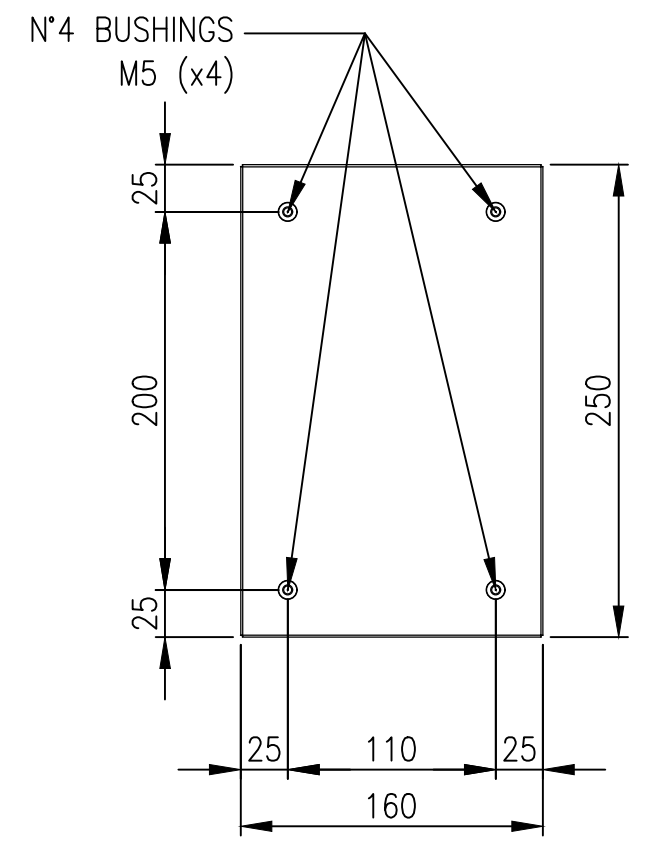
LEFT SIDE VIEW



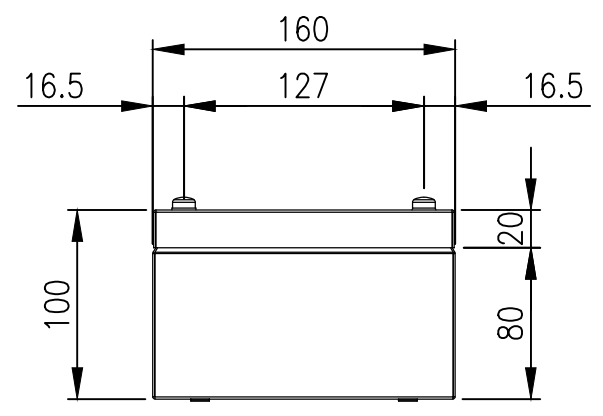
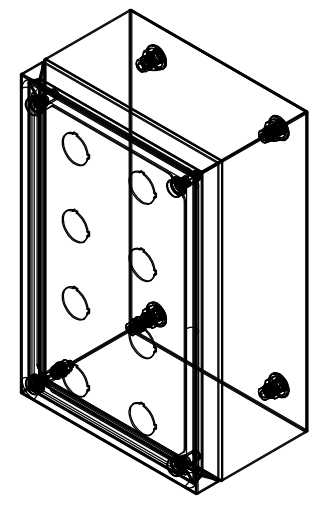
FRONT VIEW



RIGHT SIDE VIEW



REAR VIEW



BOTTOM VIEW

MATERIAL
 BODY: 1.0mm 304 STAINLESS STEEL
 DOOR: 1.0mm 304 STAINLESS STEEL
 SEAL: SILICONE

PROTECTION: IP66, NEMA 4x

© IP ENCLOSURES 2022.
 THIS DRAWING SHALL NOT BE COPIED OR REPRODUCED
 WITHOUT AUTHORISATION FROM IP ENCLOSURES.
 www.ipenclosures.com.au

Itemref	Quantity	Title/Name, designation, material, dimension etc	Article No./Reference
IP	1	250x160x100 304SS PUSHBUTTON BOX	IP-304-P4X2
IP	1	M5x15 THREADED BOLT	IP-304-P4X2
IP	4	M5 BUSHINGS	IP-304-P4X2



250x160x100 304SS PUSHBUTTON BOX
 IP-304-P4X2
 Edition 0
 Sheet 1/1