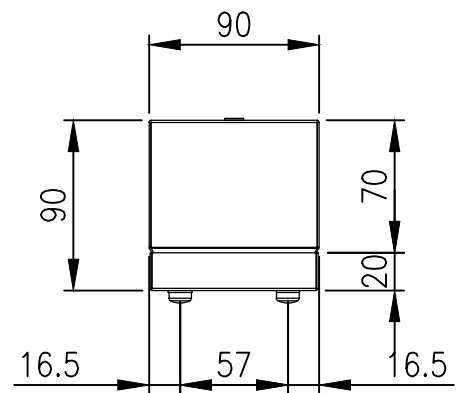
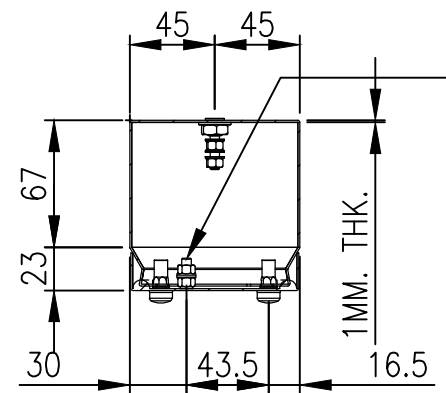


RevNo	Revision note	Date	Signature	Checked
0	GENERAL REVISION		IP	IP



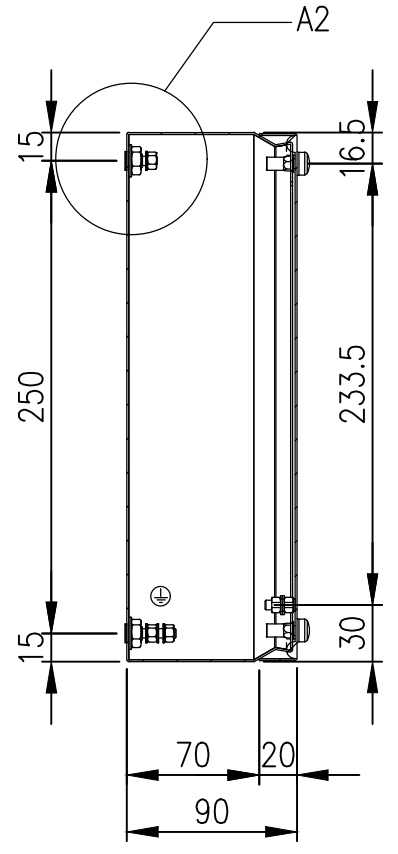
TOP VIEW



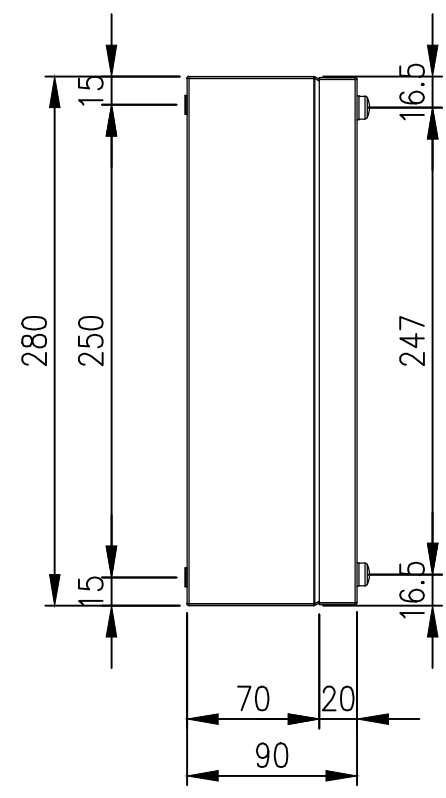
SECTION A-A

M5x15 THREADED BOLT (x1)

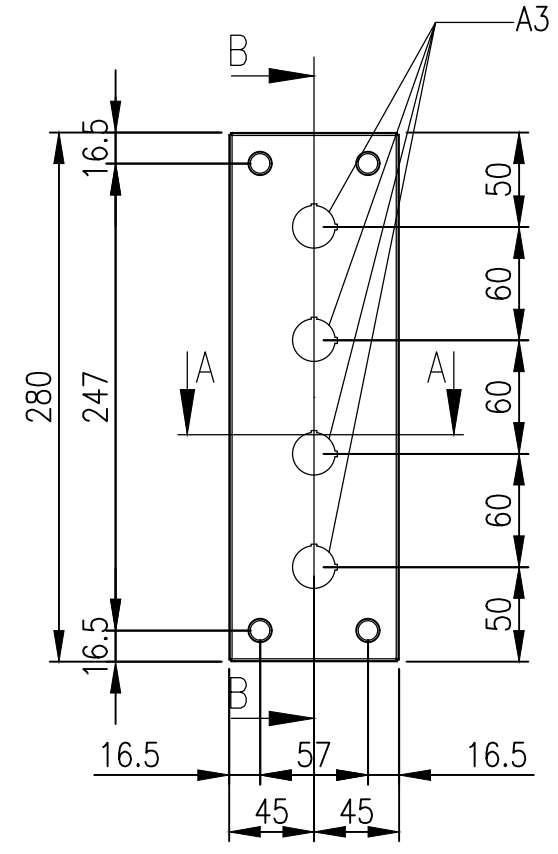
1MM. THK.



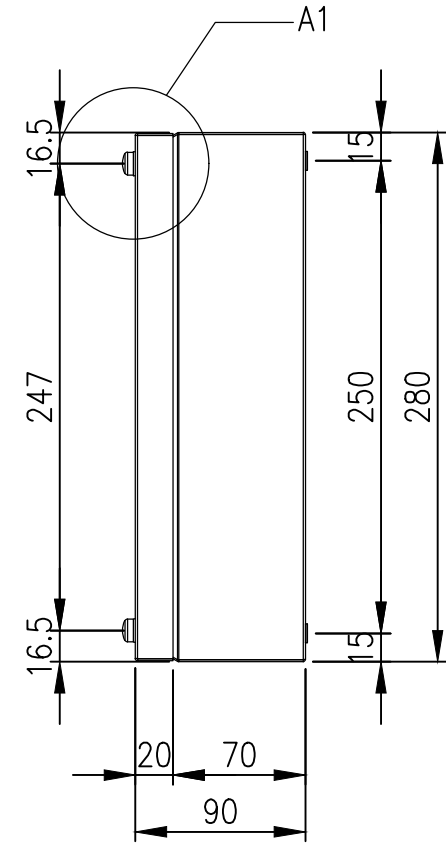
SECTION B-B



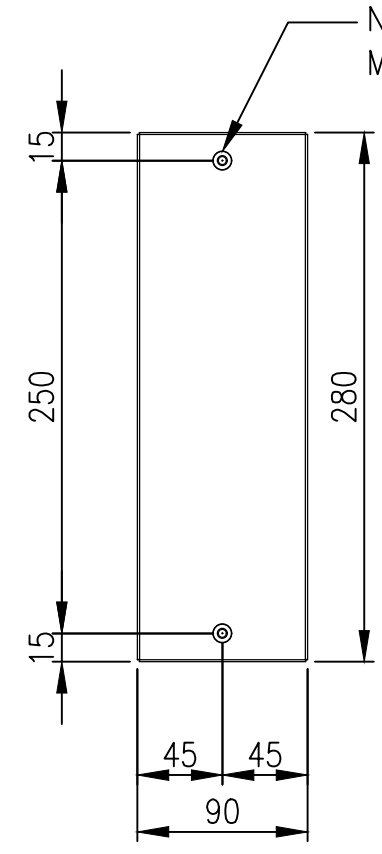
LEFT SIDE VIEW



FRONT VIEW

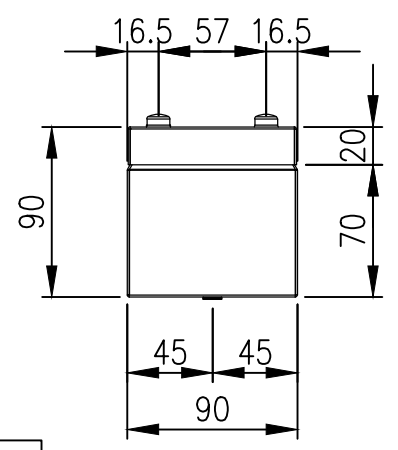
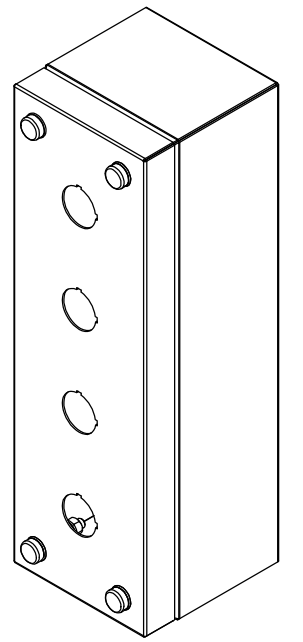


RIGHT SIDE VIEW

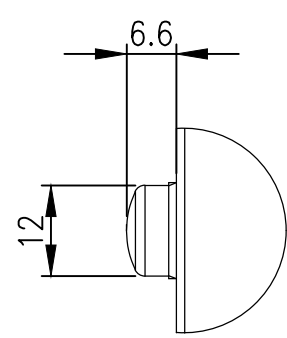


REAR VIEW

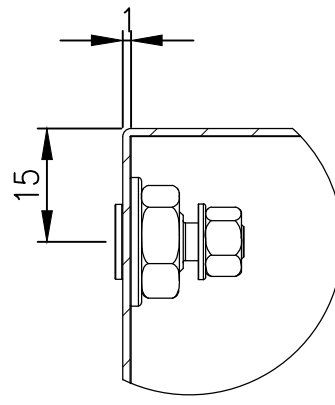
N°2 BUSHINGS M5 (x2)



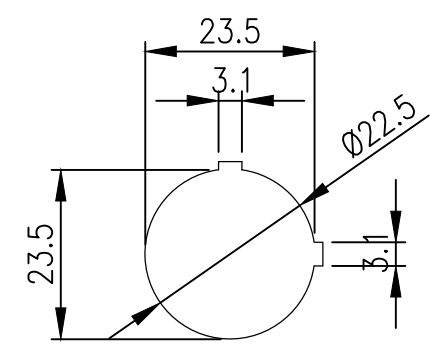
BOTTOM VIEW



DETAIL A1



DETAIL A2



DETAIL A3

MATERIAL

BODY: 1.0mm 304 STAINLESS STEEL
 DOOR: 1.0mm 304 STAINLESS STEEL
 SEAL: SILICONE

PROTECTION: IP66, NEMA 4x

© IP ENCLOSURES 2022.
 THIS DRAWING SHALL NOT BE COPIED OR REPRODUCED
 WITHOUT AUTHORISATION FROM IP ENCLOSURES.
 www.ipenclosures.com.au

Itemref	Quantity	Title/Name, designation, material, dimension etc	Article No./Reference
Designed by IP	Checked by IP	Approved by - date 27/07/22	Filename IP-304-P4
Date 27/07/22		Scale 1:4	Article No./Reference 280x90x90 304SS PUSHBUTTON BOX
Edition 0		Sheet 1/1	IP-304-P4

