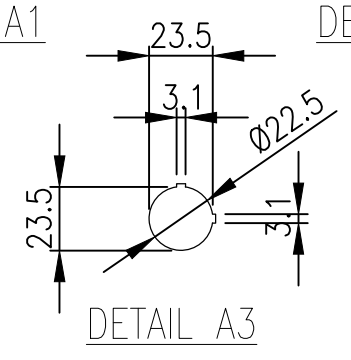
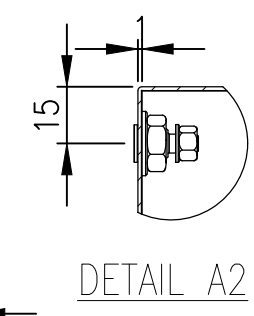
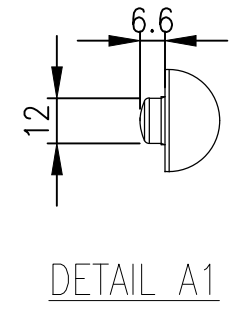
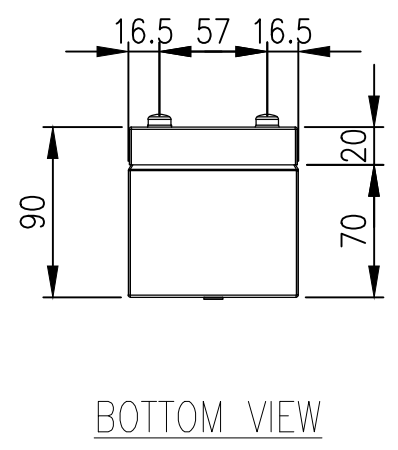
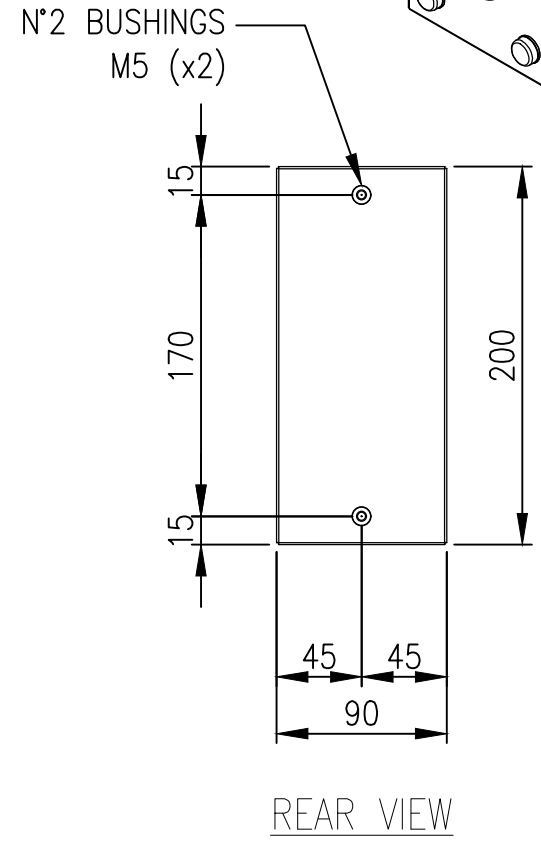
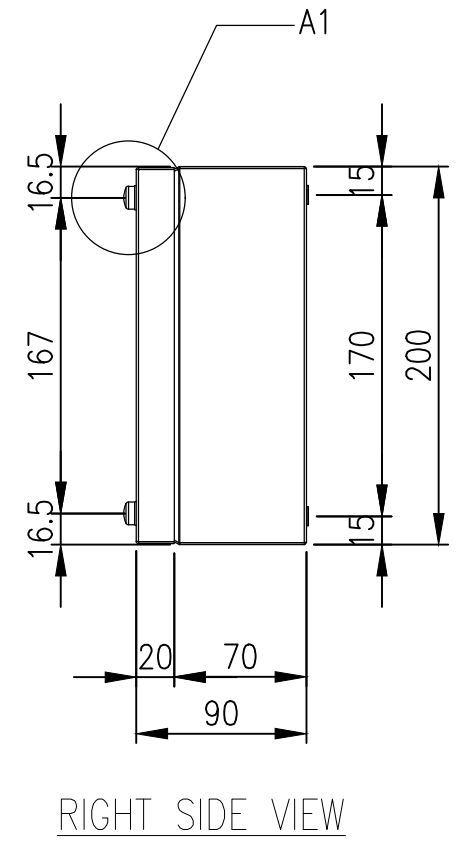
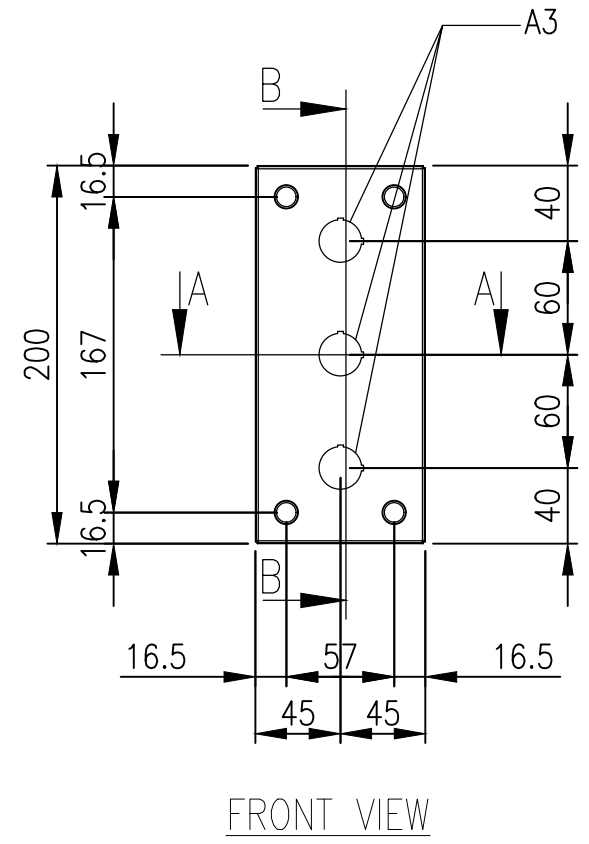
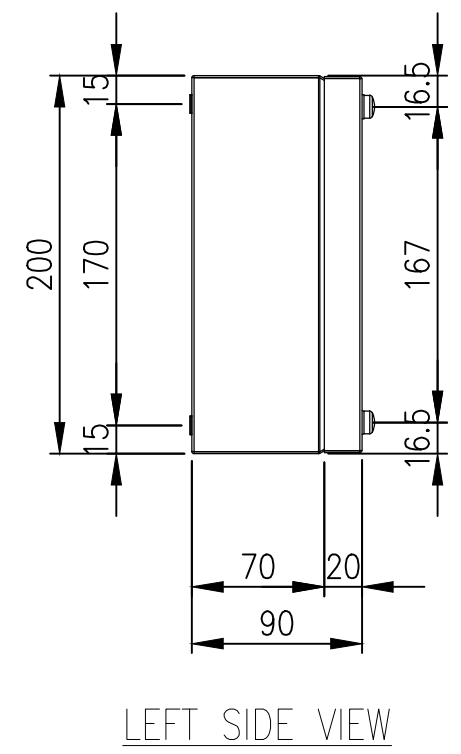
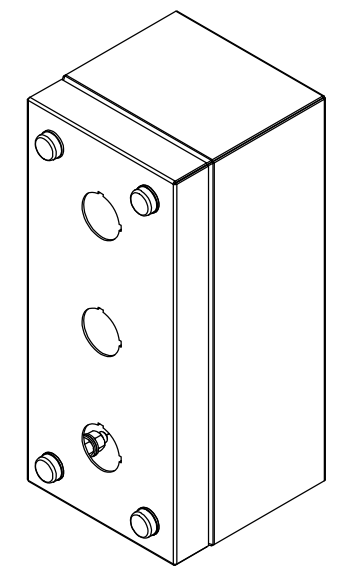
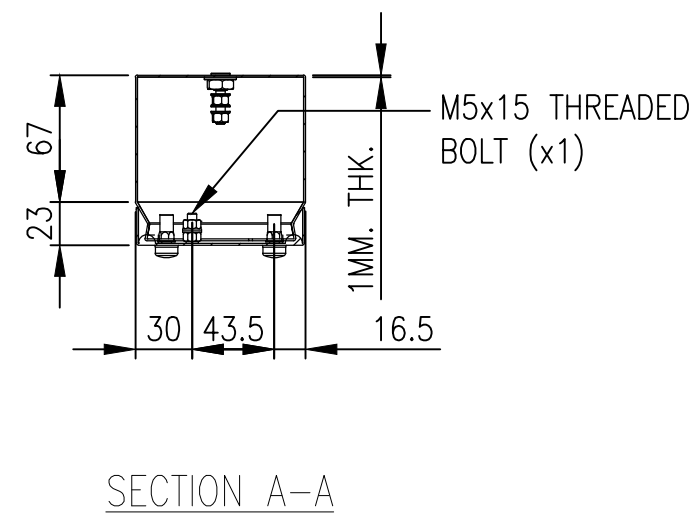
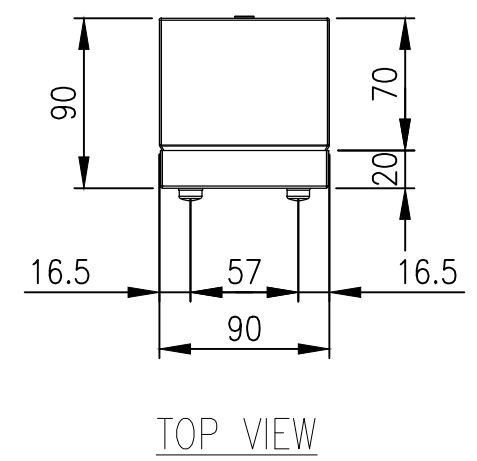
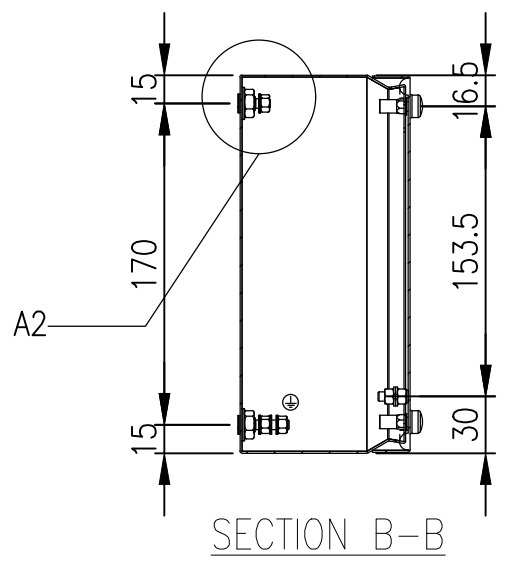


| | | | | |
|-------|------------------|------|-----------|---------|
| RevNo | Revision note | Date | Signature | Checked |
| 0 | GENERAL REVISION | | IP | IP |



MATERIAL
 BODY: 1.0mm 304 STAINLESS STEEL
 DOOR: 1.0mm 304 STAINLESS STEEL
 SEAL: SILICONE

PROTECTION: IP66, NEMA 4x

© IP ENCLOSURES 2022.
 THIS DRAWING SHALL NOT BE COPIED OR REPRODUCED
 WITHOUT AUTHORISATION FROM IP ENCLOSURES.
 www.ipenclosures.com.au

| | | | |
|-------------------|------------------|--|--|
| Itemref | Quantity | Title/Name, designation, material, dimension etc | Article No./Reference |
| Designed by IP | Checked by IP | Approved by - date 27/07/22 | Filename IP-304-P3 |
| | | Date 27/07/22 | Scale 1:4 |
| | | | 140x90x90 304SS PUSHBUTTON BOX IP-304-P3 |
| Edition 0 | | | Sheet 1/1 |