

SS2 Electrical Enclosure

IP-304-L4010030

STAINLESS STEEL | DOUBLE DOOR | IP55

400H x 1000W x 300D

IP Enclosures SS2 Range of grade 304 Stainless Steel electrical enclosures are suitable for general industrial applications.

Protection: Complies with IP55 IK10, NEMA 3x (Independent accredited test laboratory)

Standard: IEC62208, IEC/EN/AS60529 (IEC/EN/AS61439 Compliant, Optional UL508A) **CE UK CA**

Material:

- Body: 1.5mm Grade 304/304L Stainless Steel
- Door: 1.5mm Grade 304/304L Stainless Steel
- Device Mounting Plate: 1.5mm galvanised steel sheet
- Seal: Polyurethane

Surface Finish: 0.4 micron Ra surface brushed finish

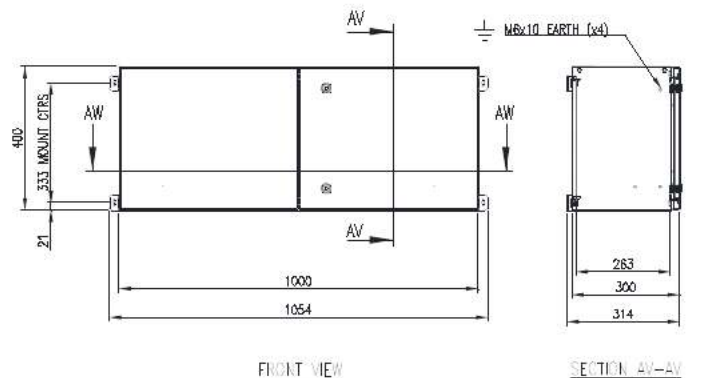
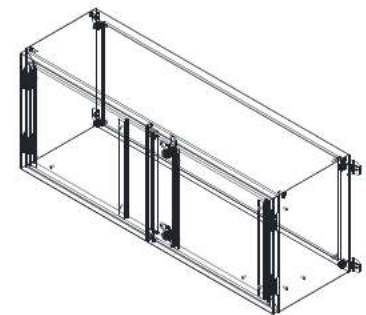
Body: The robust monoblock body is fabricated using 1.5mm Grade 304/304L Stainless Steel. Flat face sealing surfaces are provided to increase seal life. Pre-fitted blind nutserts are incorporated to accommodate mounts and accessory fasteners to eliminate drilling and retain IP rating. Integral device plate mounts and M6 earth stud is provided.

Double Doors: The robust surface mounted doors are fabricated using 1.5mm Grade 304/304L Stainless Steel and incorporates concealed removable hinges with captive pins. The doors are designed to eliminate the central mullion to improve accessibility into the enclosure. The doors are designed for a 110° opening. Each door contains integral cable management rail studs, M6 earth stud.

Seal: A high quality machine-applied full perimeter UL listed Polyurethane seal foamed in place (FIP) provides excellent sealing over a long life. Temperature resistance -40°C to 80°C (160°C short term loading).

Lock: 304 Stainless Steel 8mm square drive quarter turn lock with key.

Device Mounting Plate: The device mounting plate is fabricated using 1.5mm galvanised steel sheet, pressed to provide additional strength and supplied pre-fitted into enclosure as standard.



FRONT VIEW

SECTION AV-AV

SECTION AW-AW

