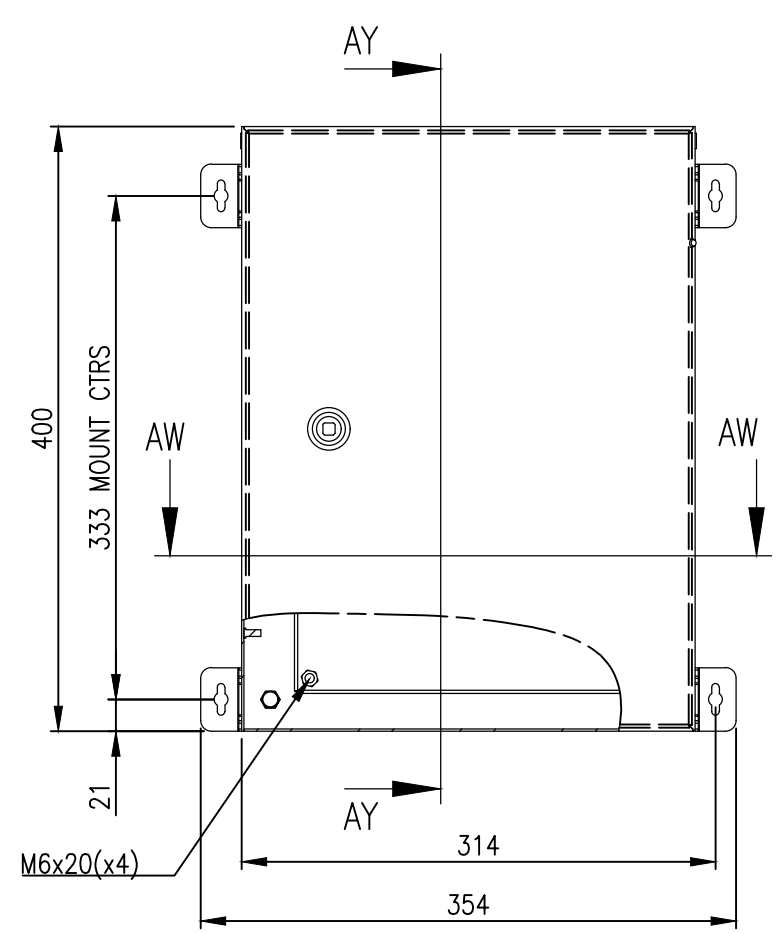
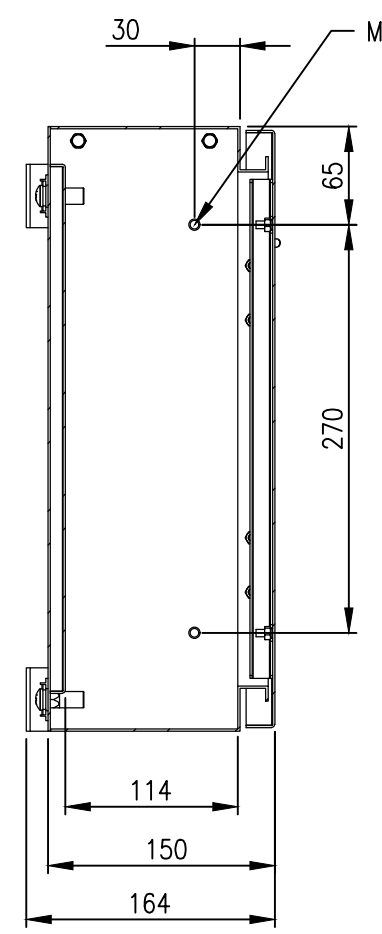


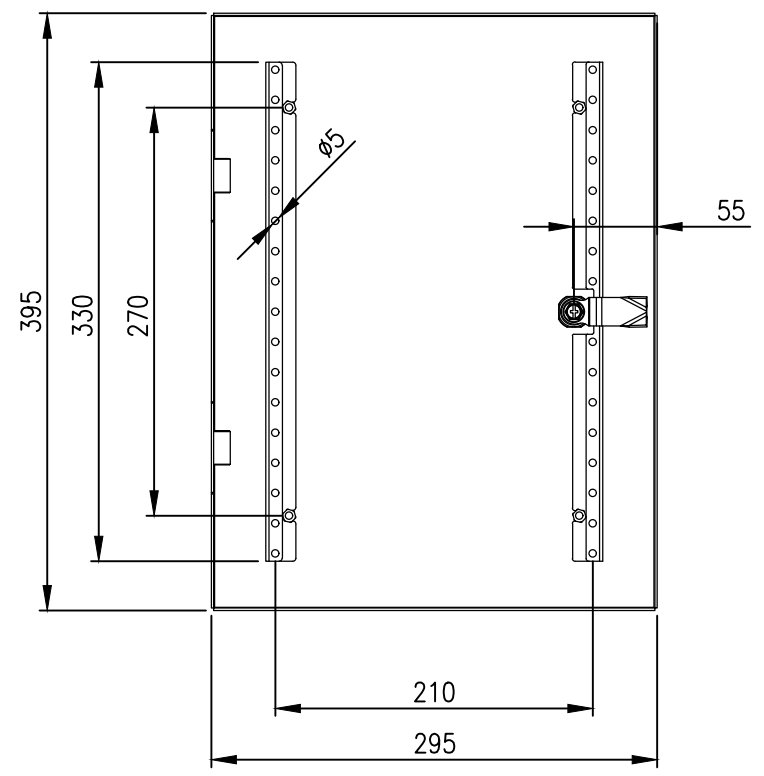
RevNo	Revision note	Date	Signature	Checked
0	GENERAL REVISION		IP	IP



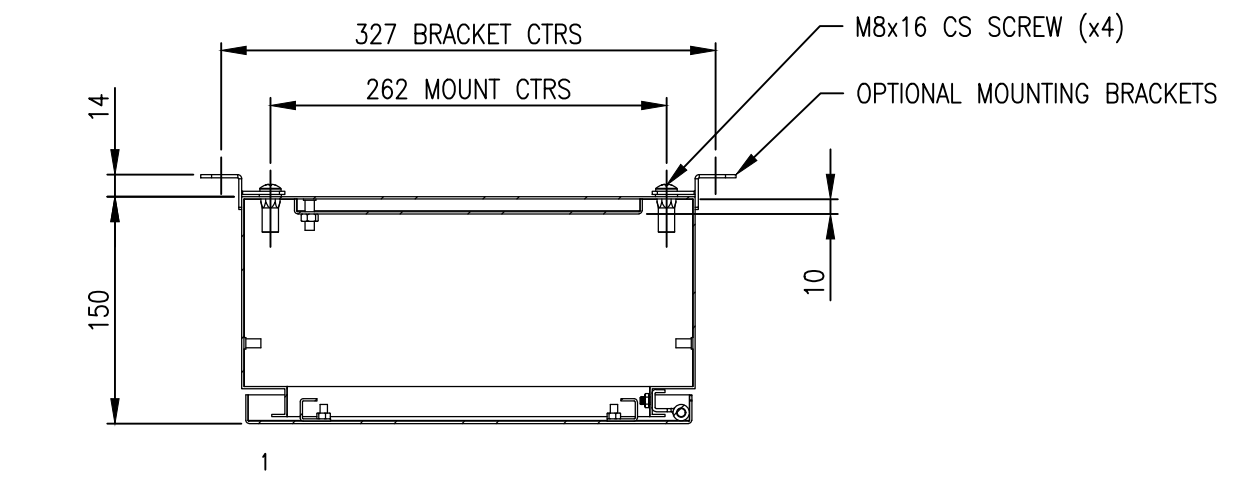
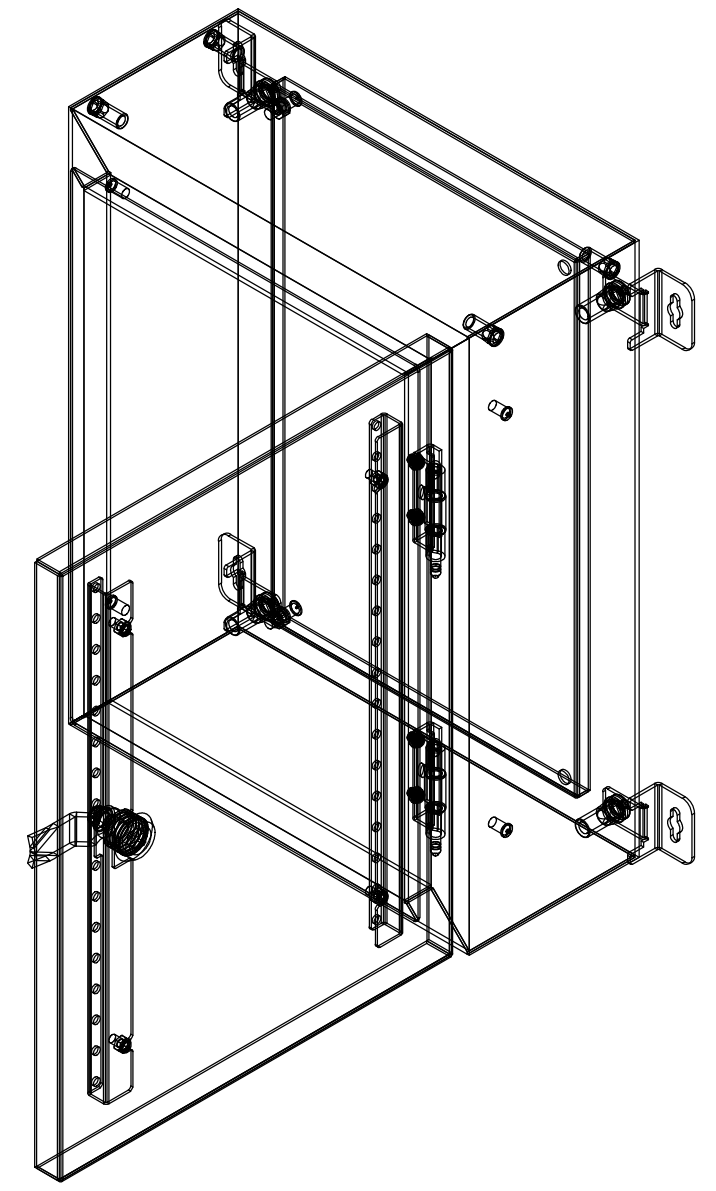
FRONT VIEW



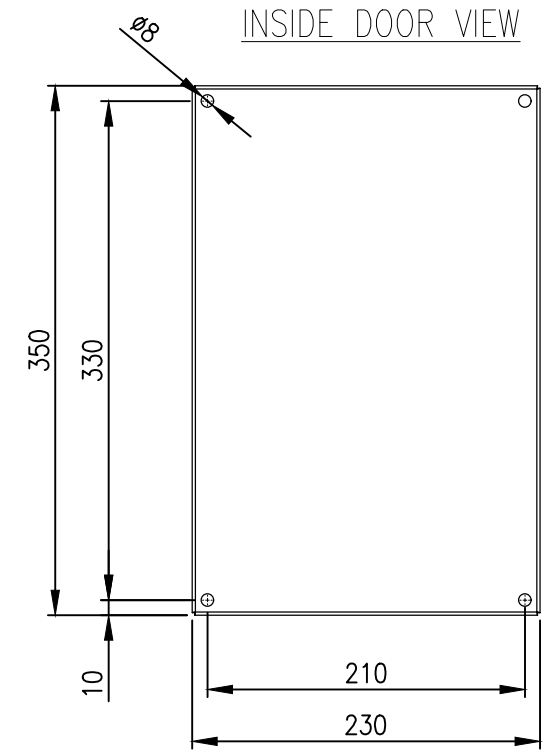
SECTION AV-AV



INSIDE DOOR VIEW



SECTION AW-AW



DEVICE MOUNTING PLATE

**MATERIAL**  
 BODY: 1.5mm 304 STAINLESS STEEL  
 DOOR: 1.5mm 304 STAINLESS STEEL  
 DEVICE PLATE: 1.5mm GALV STEEL  
 SEAL: POLYURETHANE

**MASS:** 7.8kg

**PROTECTION:** IP66 IK10, NEMA4x  
**STANDARD:** IEC62208, IEC/EN/AS60529

© IP ENCLOSURES 2022.  
 THIS DRAWING SHALL NOT BE COPIED OR REPRODUCED  
 WITHOUT AUTHORISATION FROM IP ENCLOSURES.  
 www.ipenclosures.com.au

Itemref	Quantity	Title/Name, designation, material, dimension etc	Article No./Reference
Designed by	Checked by	Approved by - date	Filename
IP	IP	28/09/22	IP-304-403015
Date	Scale	400x300x150 304SS ENCLOSURE	
28/09/22	1:5	IP-304-403015	Edition 0 Sheet 1/1