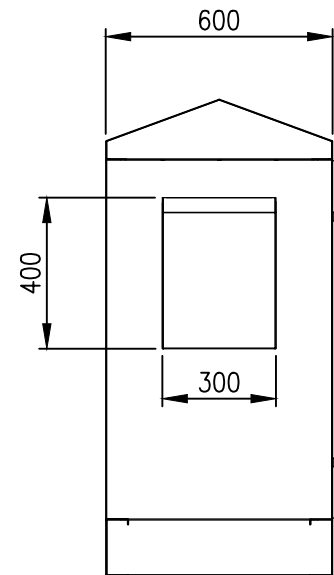
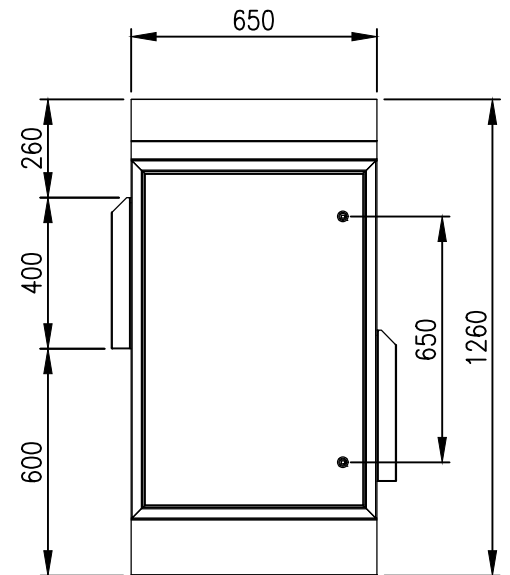


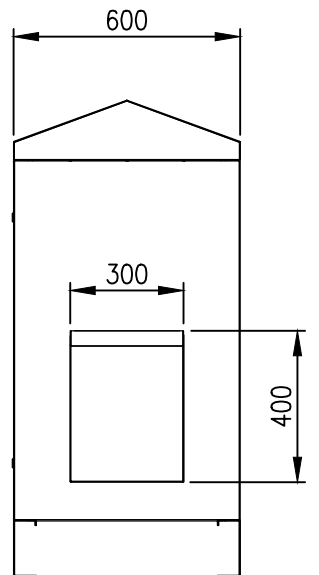
TOP VIEW



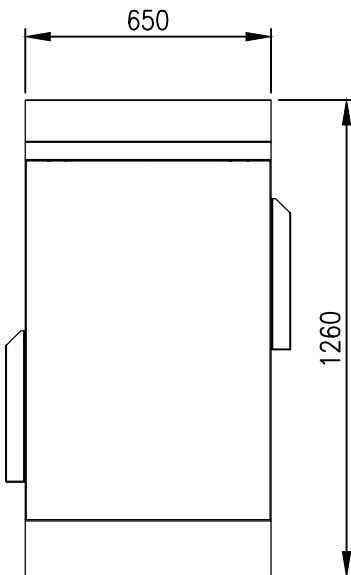
LEFT SIDE VIEW



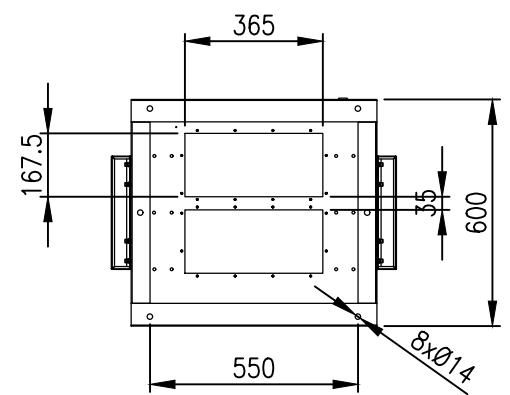
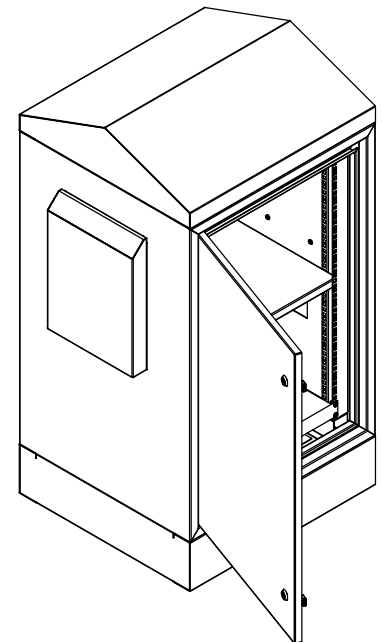
FRONT VIEW



RIGHT SIDE VIEW



REAR VIEW



BOTTOM VIEW

**MATERIAL**  
 BODY: 2.0mm GALVANISED STEEL SHEET  
 DOOR: 2.0mm GALVANISED STEEL SHEET  
 19" DATA RAILS: 1.5mm GALVANISED STEEL SHEET  
 GLAND PLATE: 3.0mm ALUMINIUM  
 SEAL: POLYURETHANE  
 SURFACE TREATMENT: POWDER-COAT 80-120micron  
 STANDARD COLOUR: RAL6005 MOSS GREEN

PROTECTION: IP66 IK10, NEMA 4 (VENTILATED)  
 STANDARD: IEC62208, IEC/EN/AS60529, EIA-310-D

© IP ENCLOSURES 2023.  
 THIS DRAWING SHALL NOT BE COPIED OR REPRODUCED WITHOUT  
 AUTHORISATION FROM IP ENCLOSURES.  
 www.ipenclosures.com.au

Itemref	Quantity	Title/Name, designation, material, dimension etc	Article No./Reference
Designed by IP	Checked by IP	Approved by - date 19/06/23	Filename IP-18UG560-GRN
		Date 19/06/23	Scale 1:20
			18U IP66 19" 650W x 600D (VENTILATED) Edition 0 Sheet 1/1 IP-18UG560-GRN