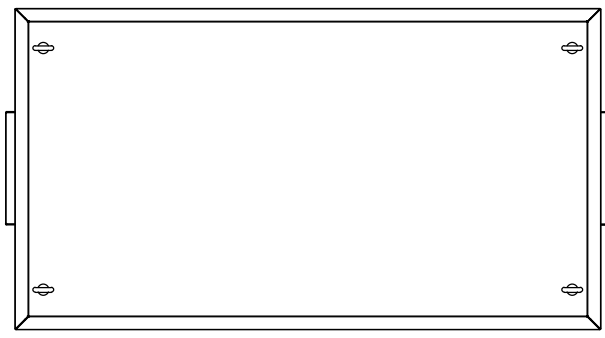
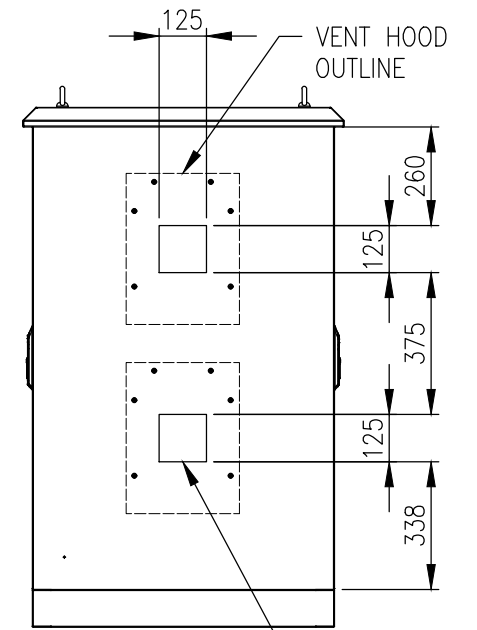
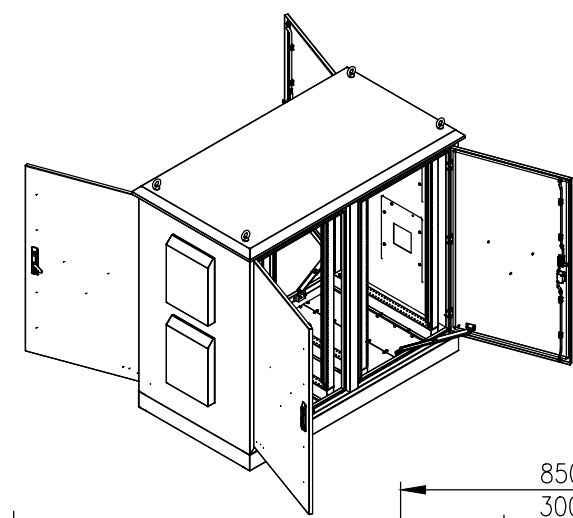


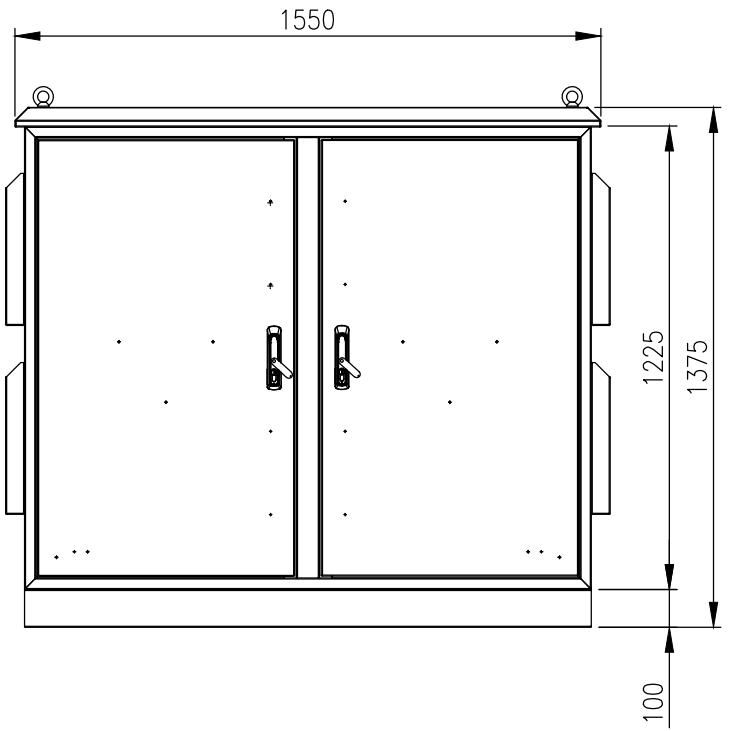
| RevNo | Revision note | Date | Signature | Checked |
|-------|------------------|----------|-----------|---------|
| 1 | GENERAL REVISION | 05/06/26 | IP | IP |



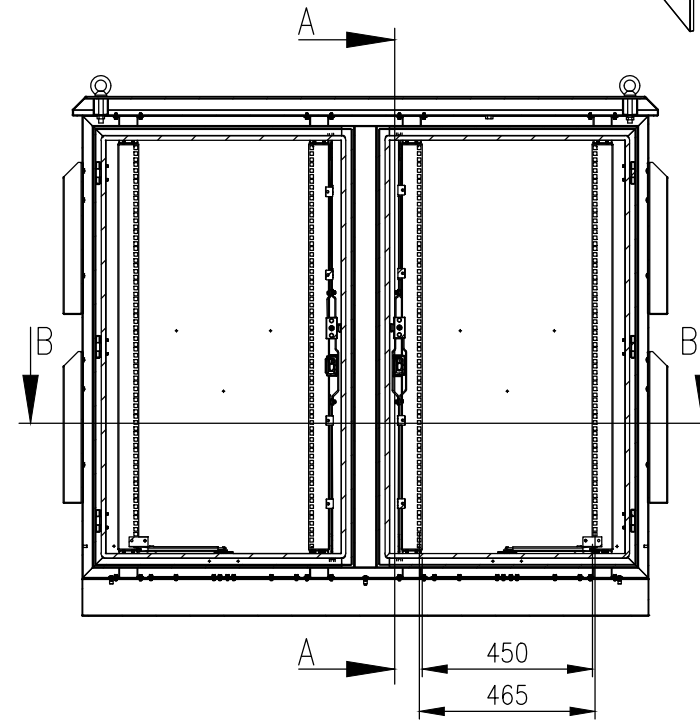
FRONT VIEW



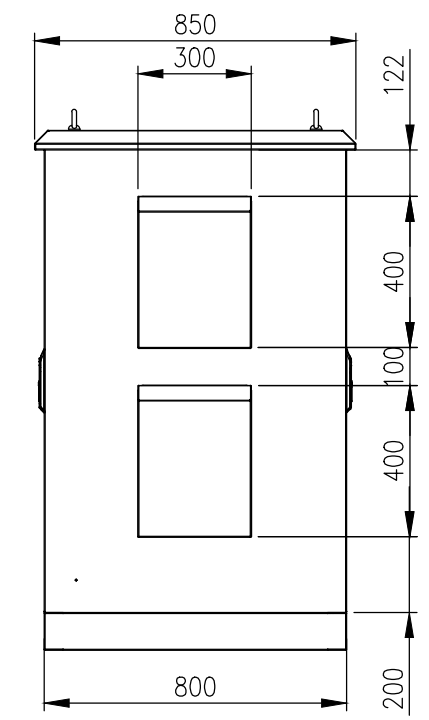
LEFT SIDE VIEW



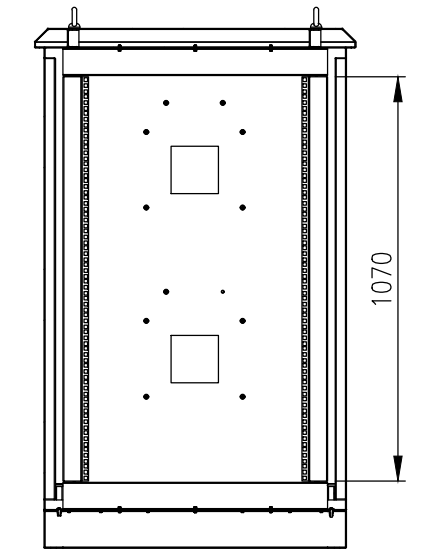
FRONT VIEW



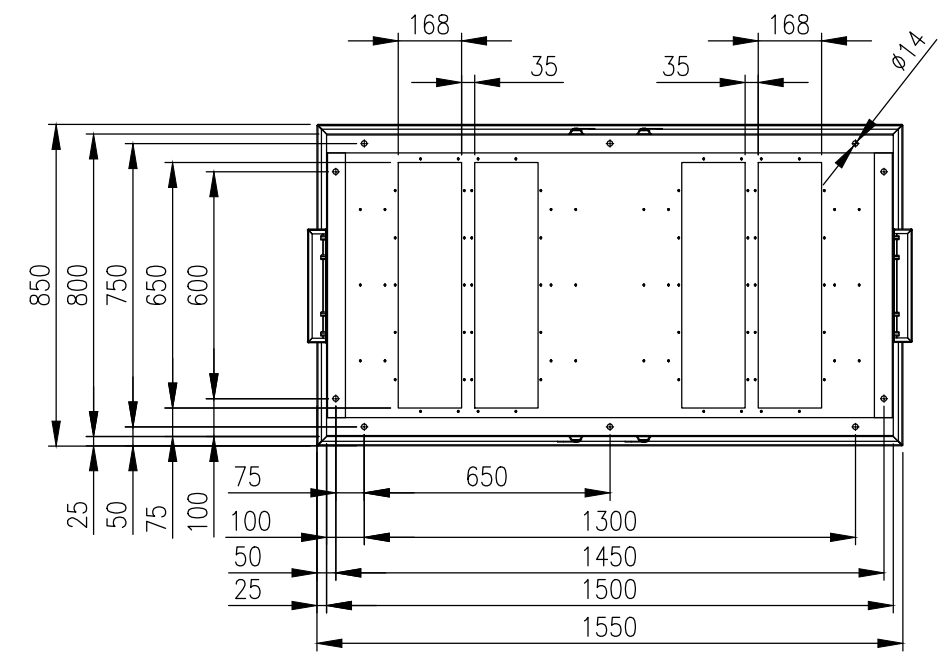
INTERIOR VIEW-DOOR REMOVED



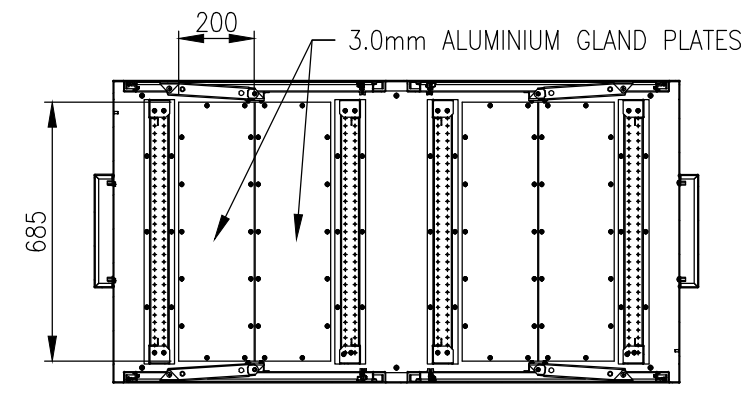
RIGHT SIDE VIEW



SECTION A-A



BOTTOM VIEW



SECTION B-B

MATERIAL
 BODY AND PLINTH: 2.0mm GALVANISED STEEL SHEET
 DOORS: 2.0mm GALVANISED STEEL SHEET
 19" DATA RAILS: 1.5mm GALVANISED STEEL SHEET
 GLAND PLATE: 3.0mm ALUMINIUM
 SEAL: POLYURETHANE
 SURFACE TREATMENT: POWDER-COAT 80-120micron
 COLOUR: RAL7035 GREY, SMOOTH FINISH

PROTECTION: IP55 IK10 (EXCLUDING FAN/
 FILTER CUTOUTS)
 STANDARD: IEC/EN62208, IEC/EN/AS60529, EIA-310D

© IP ENCLOSURES 2023.
 THIS DRAWING SHALL NOT BE COPIED OR REPRODUCED
 WITHOUT AUTHORISATION FROM IP ENCLOSURES.
 www.ipenclosures.com.au

| Itemref | Quantity | Title/Name, designation, material, dimension etc | Article No./Reference |
|-------------------|------------------|--|--|
| Designed by IP | Checked by IP | Approved by - date 10/11/23 | Filename IP-13715080 |
| | | Date 10/11/23 | Scale 1:20 |
| | | | 2 x 24RU (48RU) FIELD CABINET 1375Hx1500Wx200D DOUBLE BAY IP-13715080 |
| Edition 1 | | | Sheet 1/1 |