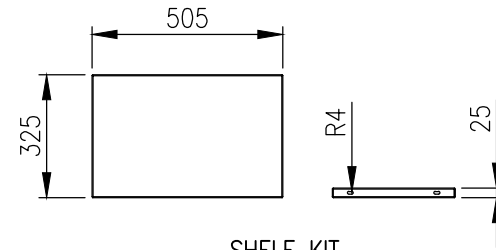


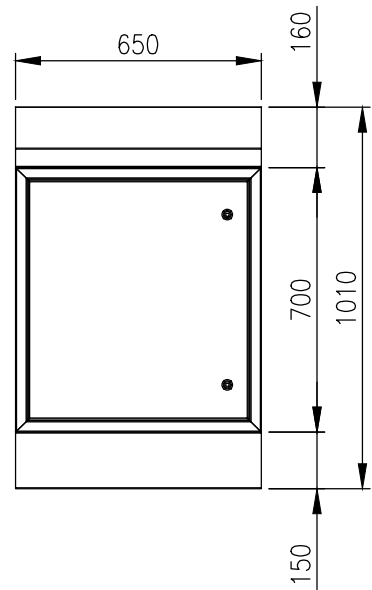
| | | | | |
|-------|------------------|----------|-----------|---------|
| RevNo | Revision note | Date | Signature | Checked |
| 2 | GENERAL REVISION | 13/04/26 | IP | IP |



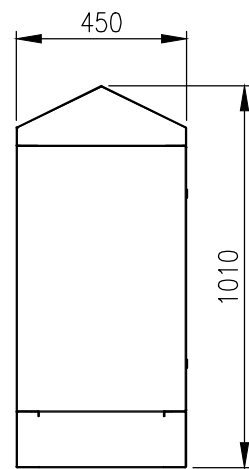
TOP VIEW



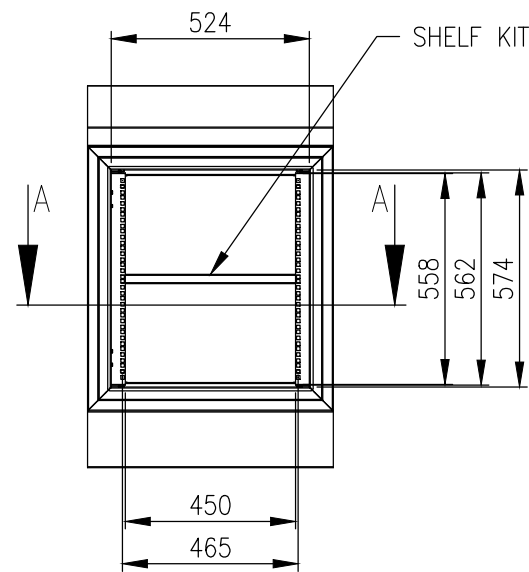
SHELF KIT



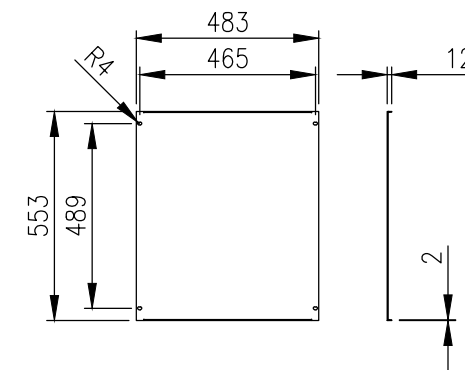
FRONT VIEW ASSEMBLY



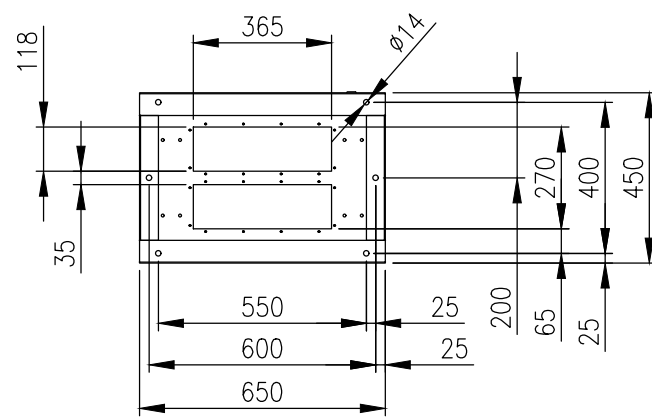
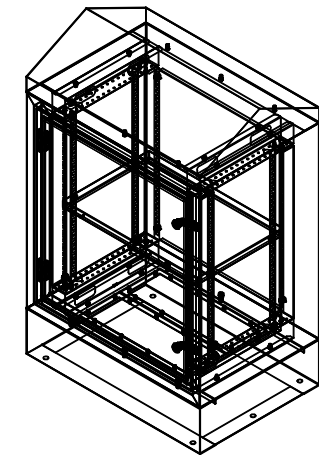
SIDE VIEW



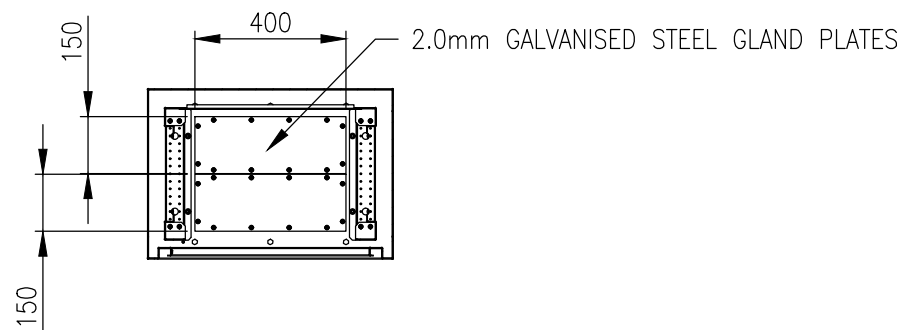
FRONT VIEW-DOOR REMOVED



DEVICE MOUNTING PLATE



BOTTOM VIEW



SECTION A-A

MATERIAL
 BODY AND PLINTH: 2.0mm GALVANISED STEEL SHEET
 DOOR: 2.0mm GALVANISED STEEL SHEET
 19" DATA RAILS: 2.0mm GALVANISED STEEL SHEET
 DEVICE PLATE: 2.0mm GALVANISED STEEL SHEET
 SHELF KIT: 2.0mm GALVANISED STEEL SHEET
 GLAND PLATES: 2.0mm GALVANISED STEEL SHEET
 SEAL: POLYURETHANE
 SURFACE TREATMENT: POWDER-COAT 80-120micron
 STANDARD COLOUR: RAL6005 MOSS GREEN

MASS: 73Kg.

PROTECTION: IP66 IK10
 STANDARD: IEC/EN62208, IEC/EN/AS60529, EIA-310-D

© IP ENCLOSURES 2022.
 THIS DRAWING SHALL NOT BE COPIED OR REPRODUCED
 WITHOUT AUTHORISATION FROM IP ENCLOSURES.
 www.ipenclosures.co.uk

| | | | |
|-------------------|------------------|--------------------------------------------------|------------------------------------------------------------------|
| Itemref | Quantity | Title/Name, designation, material, dimension etc | Article No./Reference |
| Designed by IP | Checked by IP | Approved by - date 25/07/22 | Filename IP-12U6545-0-GRN |
| | | Date 25/07/22 | Scale 1:20 |
| | | | 12U 19" 650Wx450D OUTDOOR CABINET (NON-VENT) IP-12U6545-0-GRN |
| | | | Edition 2 Sheet 1/1 |