

# FIBOX ARCA Electrical Enclosure

# ARCA302015

HIGH PERFORMANCE POLYCARBONATE | IP66 IK10

300H x 200W x 150D

IP Enclosures and FIBOX have partnered together to provide the highest quality Non-Metallic Electrical Enclosures available across Australia. The FIBOX ARCA range is made from High Performance Polycarbonate and is suitable for indoor and outdoor installations. The FIBOX ARCA non-metallic electrical enclosures are UV-resistant, corrosion-resistant, and impact-resistant. The FIBOX ARCA range is made in Finland to the highest standards.

EAN: 6418074079138

#### Electric Numbers:

- Finland: 3423044
- Denmark: 8212091003
- Sweden: 2500110

ETIM: EC000261

Protection: IP66 IK10

Standards (& Conformities): IEC/EN 62208, IEC/EN 61439-1, IEC/EN 61439-4, UL508A

#### Material:

- Body: High Performance Polycarbonate
- Door: High Performance Polycarbonate
- Seal: Polyurethane

**Body:** The robust body is fabricated using high-performance polycarbonate which provides superior resistance to corrosion, UV exposure, and mechanical impact. It is fully insulated and halogen-free. A galvanised mounting plate with screws is provided.

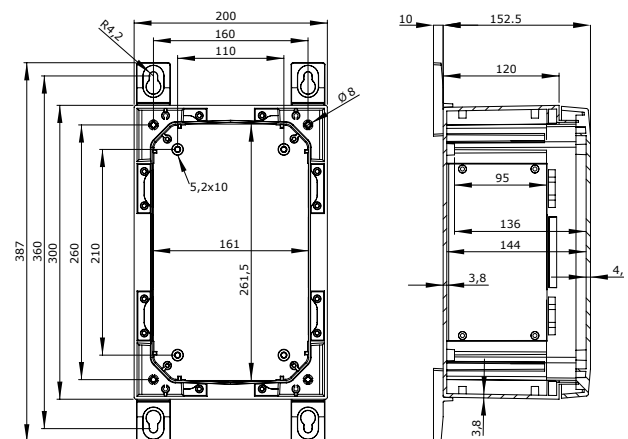
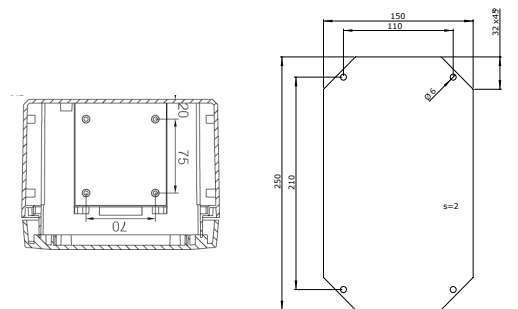
**Door:** The robust door is made from high performance polycarbonate and is provided with polyurethane seal. The inner side of the door has a special molded rib design for additional durability and stability. Hinges are fitted on the longer side of the enclosure. Door with transparent windows are available as an accessory.

**Seal:** Polyurethane.

**Lock:** 3mm double bit lock with key. 1-point locking system with door guide included. Swing handle locking solution is available upon request.

**Mounting Plate:** 2.0mm galvanised steel. Supplied fitted.

**Standard Colour:** RAL7035 Light Grey.



# FIBOX ARCA Electrical Enclosure

# ARCA302015

HIGH PERFORMANCE POLYCARBONATE | IP66 IK10

300H x 200W x 150D

## ACCESSORIES:

Part Number	Description
IDS ARCA 3020	Aluminium Inner Door Set 285mmH x 185mmW x 35mm; RAL7035
DRS ARCA 302015*	Galvanised Steel DIN Rail Frame Set 285mmH x 185mmW x 35mm
PMK ARCA 20	Stainless Steel Pole Mounting Kit for Ø100-300mm Pole 385mmH x 285mmW x 35mmD

\*1 row x 5 modules for size 300H x 200W x 150D ARCA Enclosure

## PARAMETERS:

Electrical Insulation:	Fully Insulated
Halogen Free (DIN/VDE 0472, Part 815):	Yes
UV Resistance:	UL 746C
Flammability Rating:	UL 94 5VA
Glow Wire Test (IEC 60695)°C:	960°C
NEMA Class:	NEMA 1, 4, 4X, 12, 13
Temperature °C (short term):	-40...+120°C
Temperature °C (continuous term):	-40...+80°C

## CERTIFICATES:

Certificate FI 42298.