

# FIBOX ARCA Electrical Enclosure

# ARCA806030

HIGH PERFORMANCE POLYCARBONATE | IP66 IK10

800H x 600W x 300D

IP Enclosures, in partnership with FIBOX, offer premium non-metallic electrical enclosures worldwide. The FIBOX ARCA series, manufactured from high-performance polycarbonate, is engineered for both indoor and outdoor applications. These enclosures provide superior UV resistance, corrosion resistance, and impact resistance. Designed and manufactured in Finland, the ARCA range meets the highest international quality standards.

**EAN:** 6418074079305

**Electric Numbers:**

- Finland: 3423115
- Denmark: 8212091171
- Sweden: 2500122

**ETIM:** EC000261

**Protection:** IP66 IK10

**Standards (& Conformities):** IEC/EN 62208, IEC/EN 61439-1, IEC/EN 61439-4, UL508A

**Material:**

- Body: High Performance Polycarbonate
- Door: High Performance Polycarbonate
- Seal: Polyurethane

**Body:** The durable body is fabricated using high-performance polycarbonate which provides superior resistance to corrosion, UV exposure, and mechanical impact. It is fully insulated and halogen-free. A galvanised mounting plate with screws is provided.

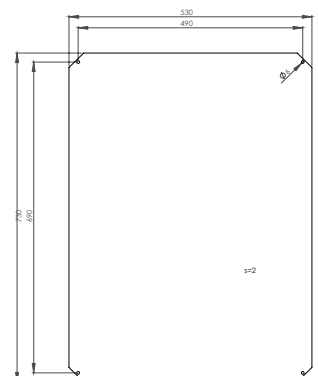
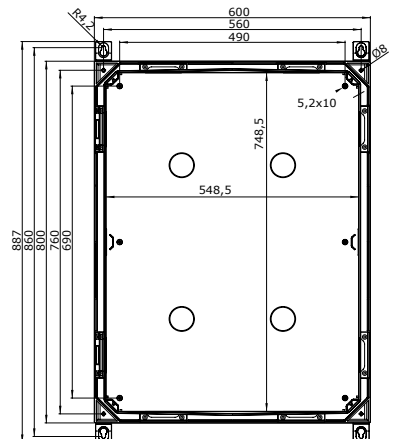
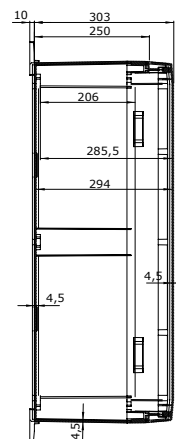
**Door:** The durable door is made from high performance polycarbonate and is provided with polyurethane seal. The inner side of the door has a special molded rib design for additional durability and stability. Hinges are fitted on the longer side of the enclosure. Door with transparent windows are available as an accessory.

**Seal:** Polyurethane.

**Lock:** 3mm double bit lock with key. 2-point locking system with door guide included. Swing handle locking solution is available upon request.

**Mounting Plate:** 2.0mm galvanised steel. Supplied fitted.

**Standard Colour:** RAL7035 Light Grey.



# FIBOX ARCA Electrical Enclosure

# ARCA806030

HIGH PERFORMANCE POLYCARBONATE | IP66 IK10

800H x 600W x 300D

## ACCESSORIES:

Part Number	Description
IDS ARCA 8060	Aluminium Inner Door Set 785mmH x 585mmW x 35mmD; RAL7035
DRS ARCA 806030*	Galvanised Steel DIN Rail Frame Set 785mmH x 585mmW x 35mm
PMK ARCA 60	Stainless Steel Pole Mounting Kit for Ø100-300mm Pole 585mmH x 385mmW x 35mmD
DSP ARCA RM	Door Stopper ARCA; Right; Midsize 5070-8060; 22mmH x 200mmW x 16mmD
DSP ARCA LM	Door Stopper ARCA; Left; Midsize 5070-8060; 22mmH x 200mmW x 16mmD

\*4 rows x 26 modules for size 800H x 600W x 300D ARCA Enclosure

## PARAMETERS:

Electrical Insulation:	Fully Insulated
Halogen Free (DIN/VDE 0472, Part 815):	Yes
UV Resistance:	UL 746C
Flammability Rating:	UL 94 5VA
Glow Wire Test (IEC 60695)°C:	960°C
NEMA Class:	NEMA 1, 4, 4X, 12, 13
Temperature °C (short term):	-40...+120°C
Temperature °C (continuous term):	-40...+80°C

## CERTIFICATES:

Certificate FI 42298. Our Ref. HEL-CERT191100721-06.